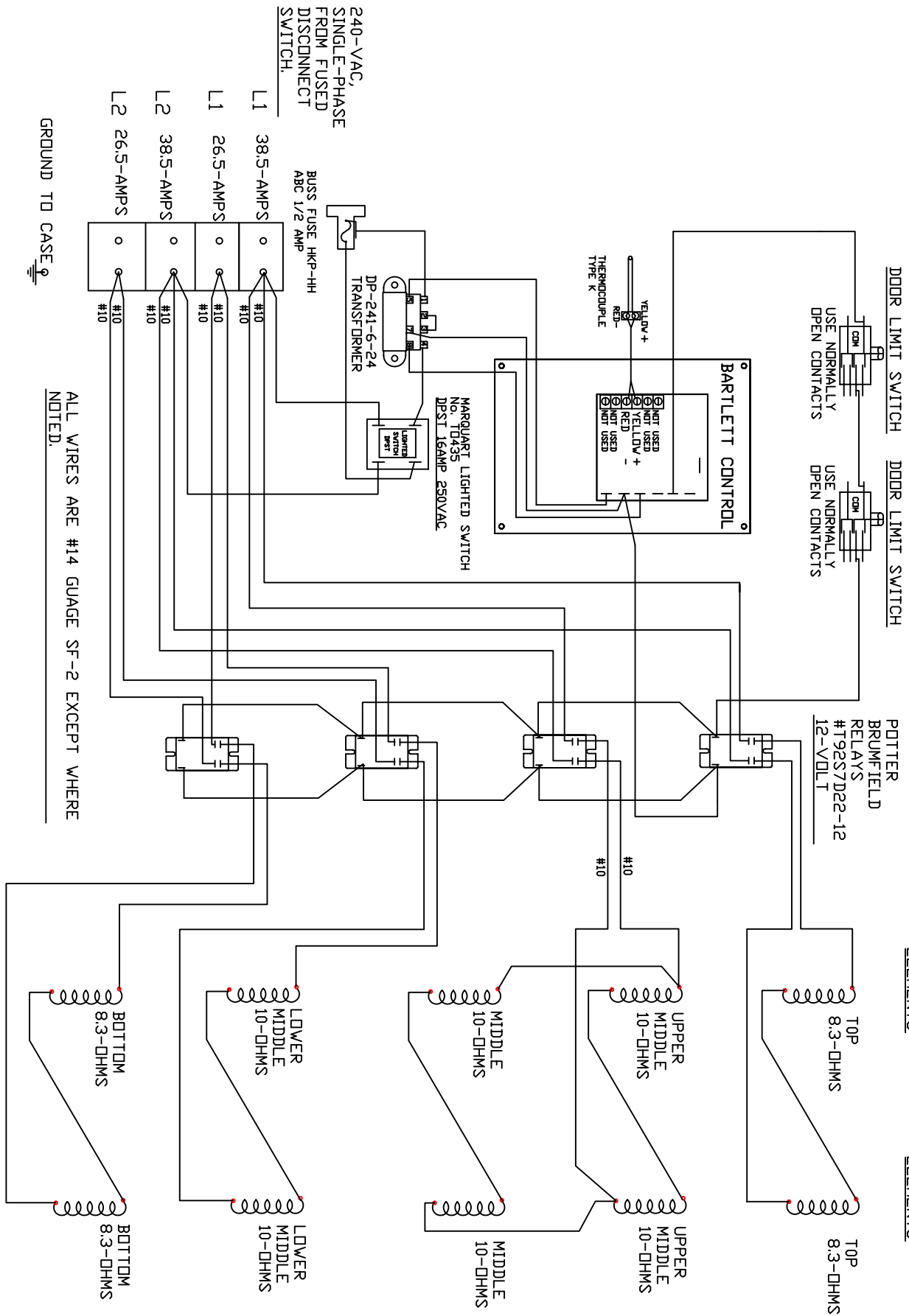




ECC242431FH
240-VOLT, SINGLE-PHASE 65AMPS

ECC242431FH-240-Phase 5-07



ALL WIRES ARE #14 GAUGE SF-2 EXCEPT WHERE NOTED.

THE ELEMENT CONNECTIONS ARE ON THE BACK OF THE KILN.