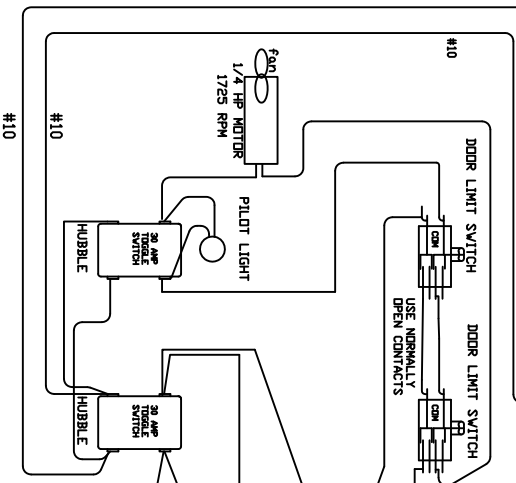
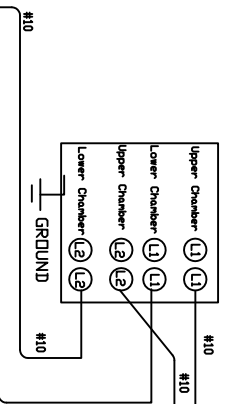




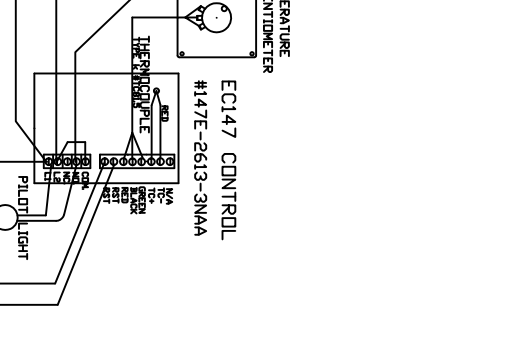
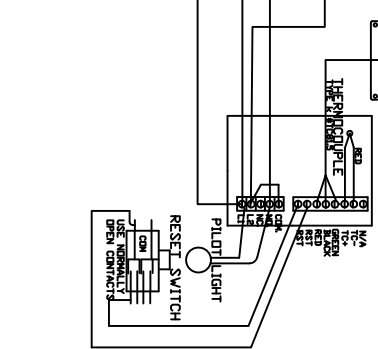
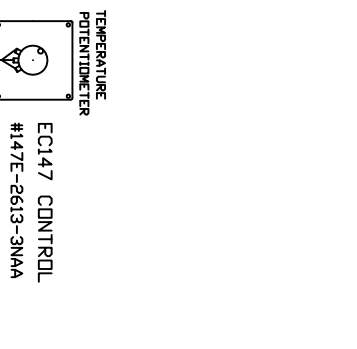
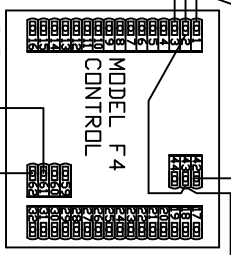
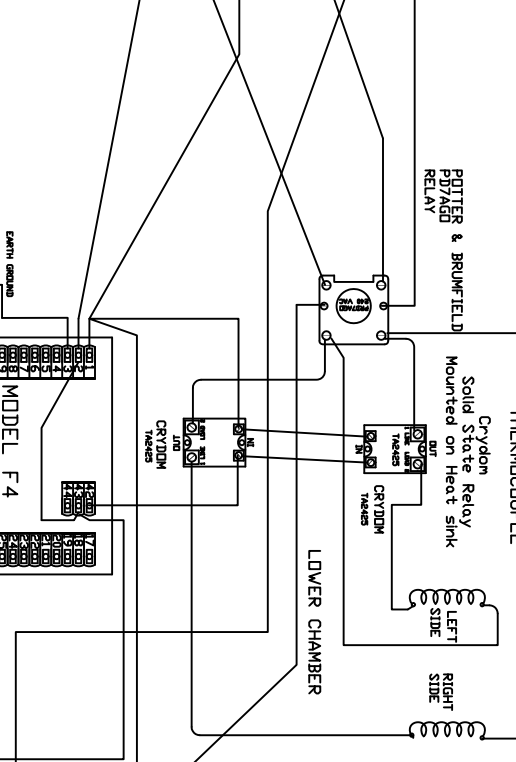
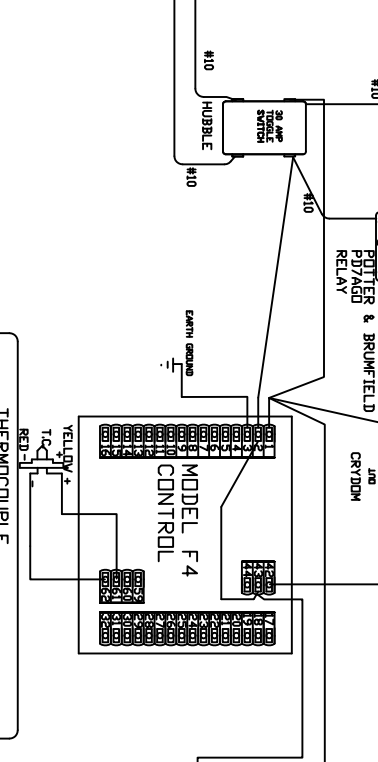
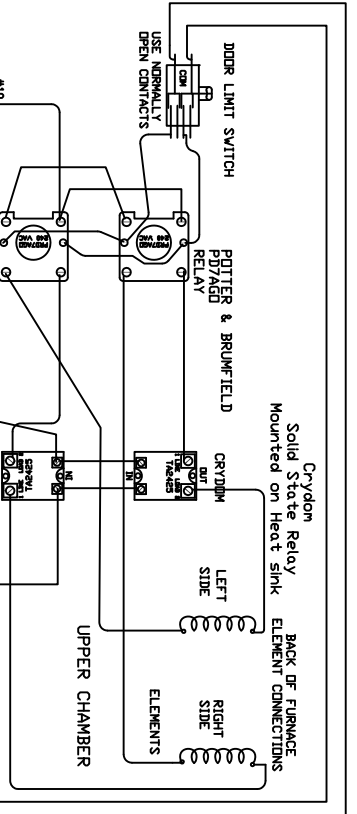
C2121/F4/HLCUL  
 230 VOLTS 50 AMPS  
 SINGLE PHASE

CH20020-1-4-230-1P-H-LCUL.DWG 11/2003

230 VOLTS 50 AMPS  
 (TWO 25 AMP CIRCUITS)



WIRE IS #14 GAGE SFG UNLESS OTHERWISE SPECIFIED.  
 T.C. = TYPE 'K' THERMOCOUPLE  
 G = GROUND



EC147 CONTROL  
 #147E-2613-3NAA

EC147 CONTROL  
 #147E-2613-3NAA