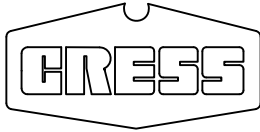


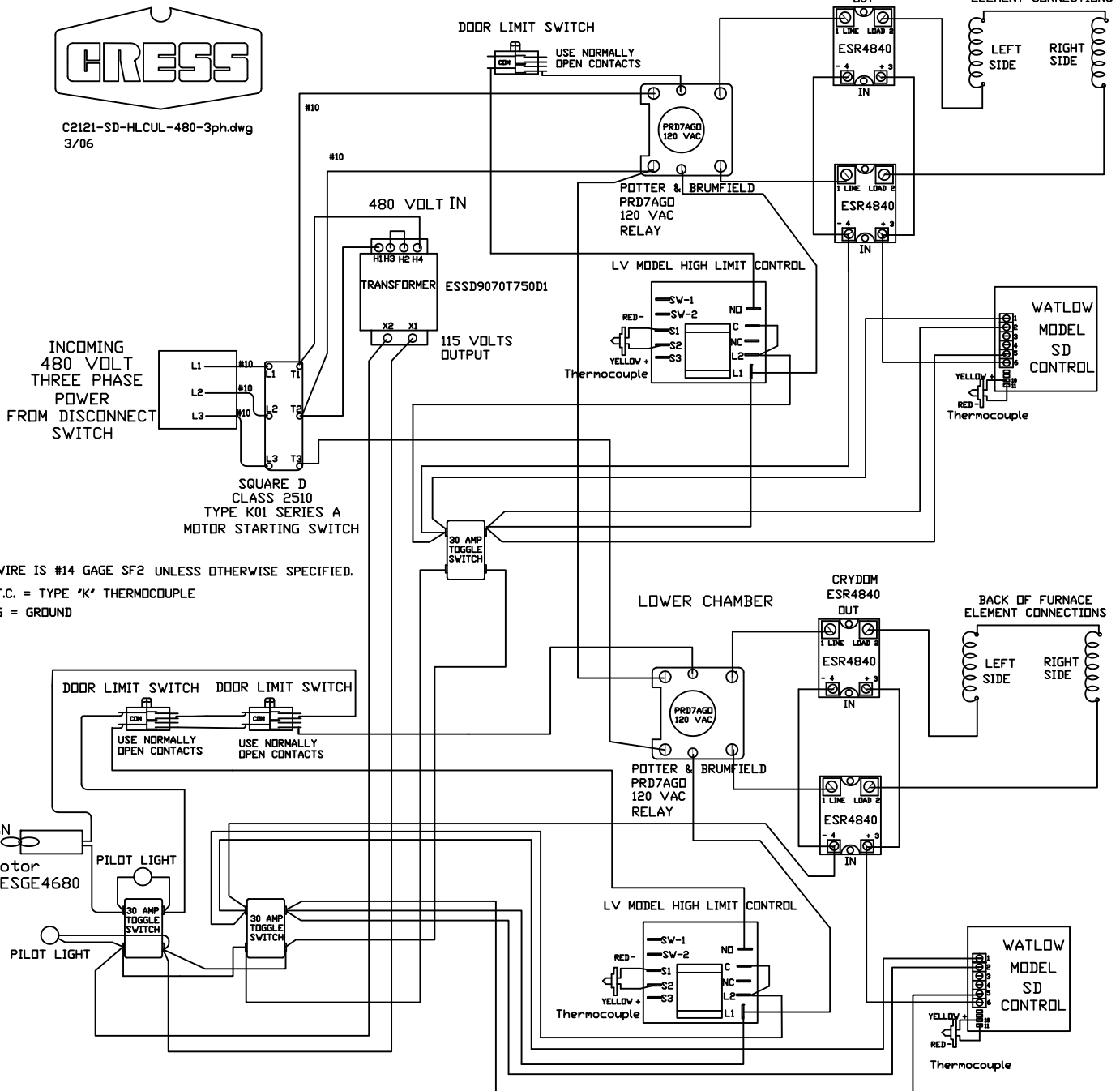
C-1232/SD4-HLCUL

480-VAC, 3-PHASE, 21-AMPS

UPPER CHAMBER



C2121-SD-HLCUL-480-3ph.dwg
3/06



WIRE IS #14 GAGE SF2 UNLESS OTHERWISE SPECIFIED.
T.C. = TYPE 'K' THERMOCOUPLE
G = GROUND