

C1632/SD

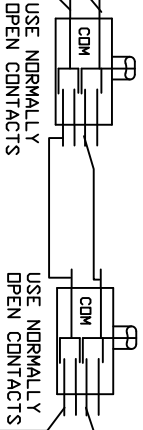
C1632-230-1DWG

12-2006

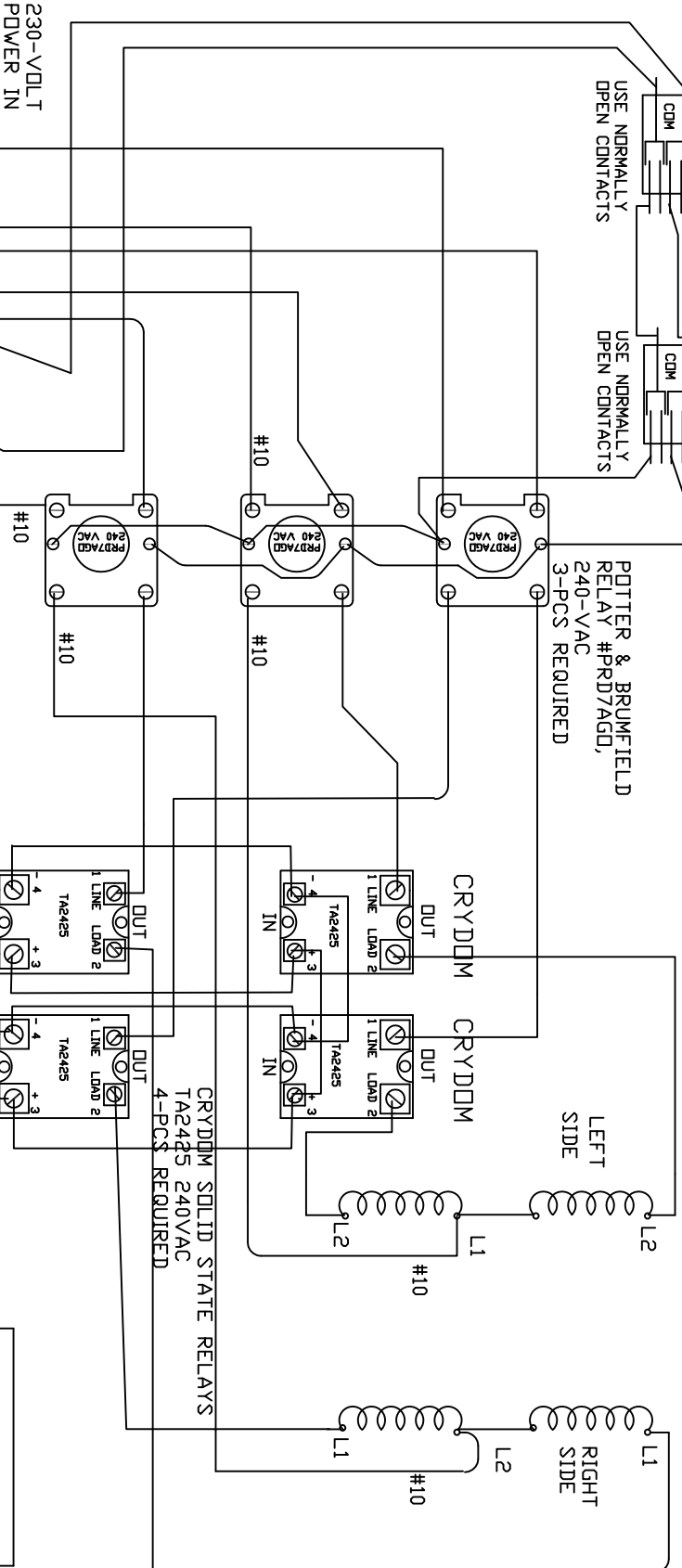
240-VOLT, 52-AMPS, SINGLE PHASE

BACK OF FURNACE  
ELEMENT CONNECTIONS  
ELEMENT RESISTANCE 18.4 OHMS EACH

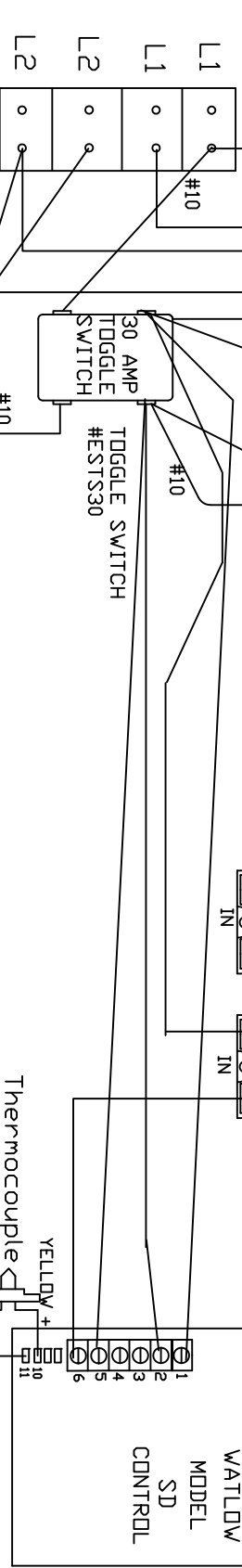
DOOR LIMIT SWITCHES  
PART #ESMS15  
2-PCS REQUIRED



POTTER & BRUMFIELD  
RELAY #PRD7AGD,  
240-VAC  
3-PCS REQUIRED



CRYDOM SOLID STATE RELAYS  
TA2425 240VAC  
4-PCS REQUIRED



WIRE IS #14 GAGE SF2 UNLESS OTHERWISE SPECIFIED.  
T.C. = TYPE 'K' THERMOCOUPLE  
G = GROUND