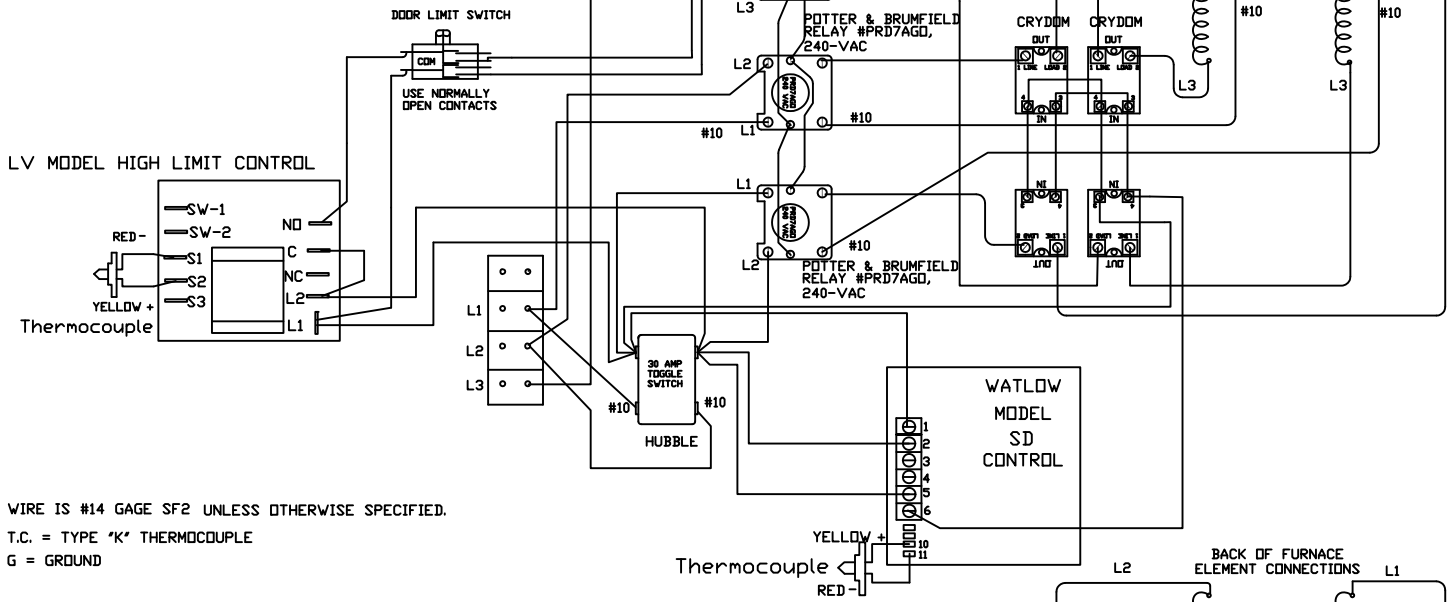


# C163212D/SD HLCU&L

208-VOLT, 3-PHASE, 61-AMPS

C163212D-SD-HLC U&L-208-3PH.dwg 6-07

## UPPER CHAMBER



WIRE IS #14 GAGE SF2 UNLESS OTHERWISE SPECIFIED.  
 T.C. = TYPE 'K' THERMOCOUPLE  
 G = GROUND

## LOWER CHAMBER

