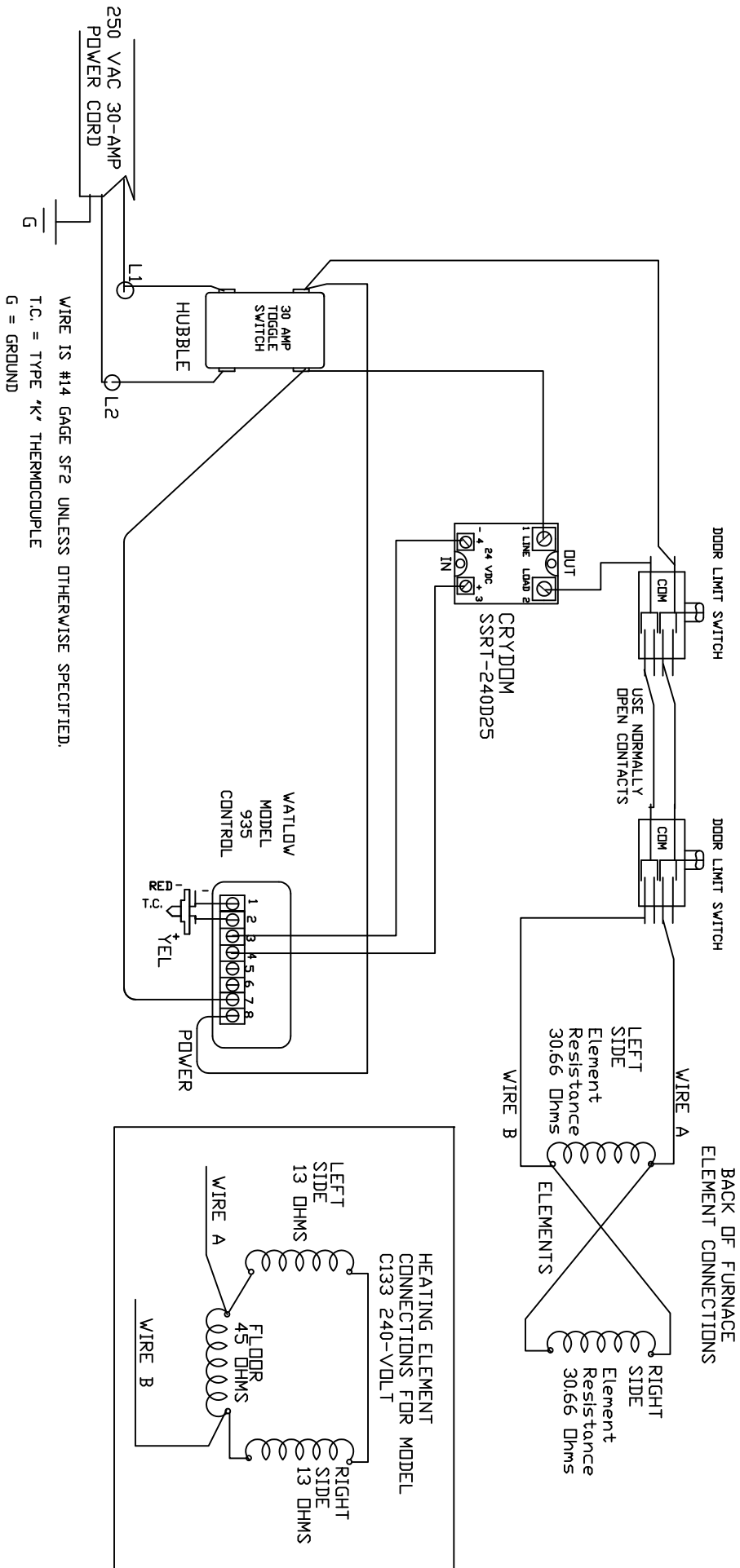


C-136/935 FURNACE
 240-VOLT 16-AMPS
 C-133/935 FURNACE
 240-VOLT 15-AMPS

C136-935.DWG 02/2004



WIRE IS #14 GAGE SF2 UNLESS OTHERWISE SPECIFIED.

T.C. = TYPE 'K' THERMOCOUPLE

G = GROUND

