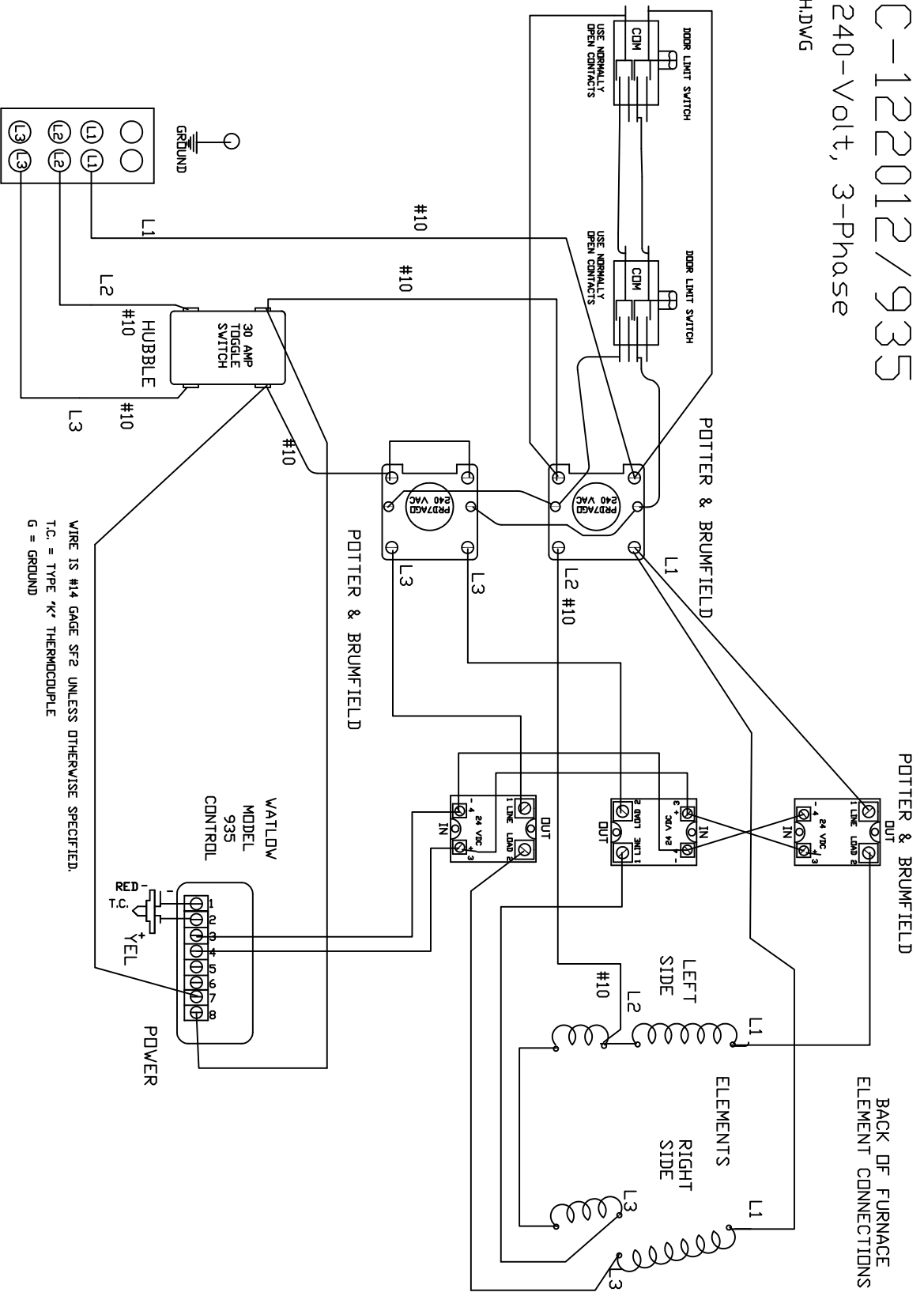


C-122012/935
240-Volt, 3-Phase

C122012-935-240-3PH.DWG
04/02/07



WIRE IS #14 GAGE SFT2 UNLESS OTHERWISE SPECIFIED.
T.C. = TYPE "K" THERMOCOUPLE
G = GROUND