

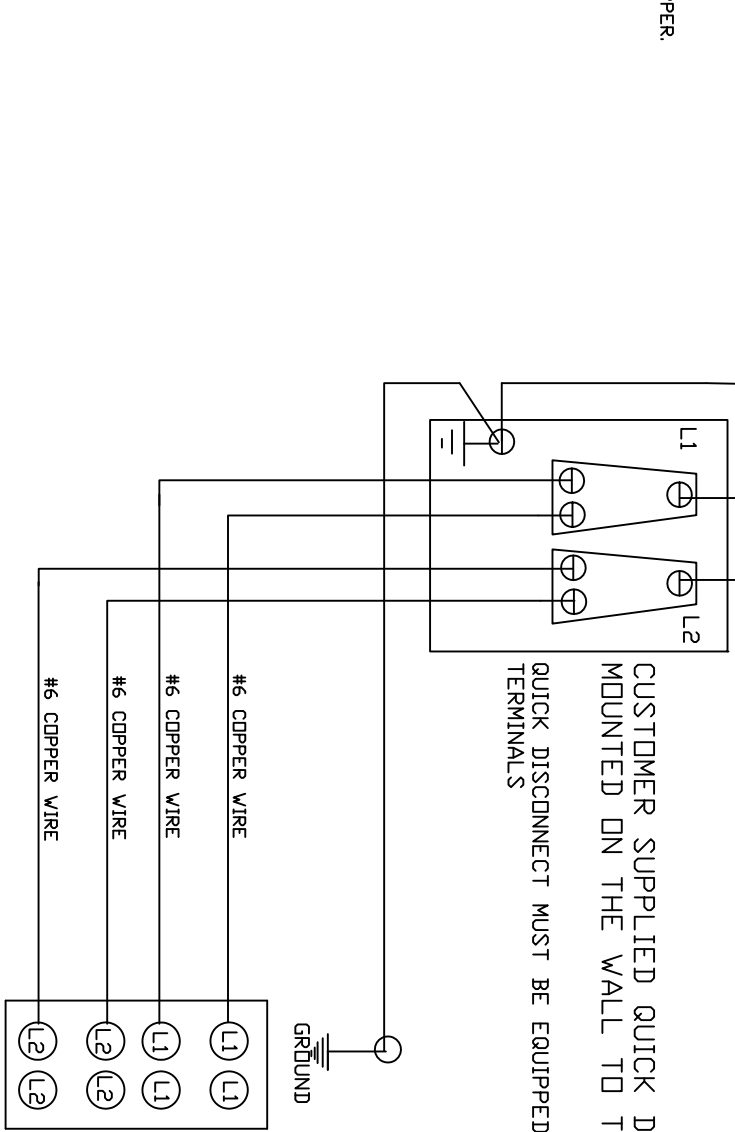
**FXC30FH SUPPLY WIRING 208-240 VOLT, SINGLE PHASE, 75-AMPS**

ANY MODIFICATIONS TO THIS DIAGRAM NEEDED TO MEET LOCAL AND NATIONAL CODES MUST BE FOLLOWED  
 ALL ELECTRICAL WORK MUST BE PERFORMED BY A QUALIFIED ELECTRICIAN

208-VOLT,  
 SINGLE-PHASE  
 INPUT FROM CIRCUIT  
 BREAKER  
 CIRCUIT BREAKER  
 USE 90-AMP SIZE

L2 — #2 COPPER WIRE UP TO 40 FOOT RUN  
 #1 COPPER WIRE 40-100 FOOT RUN  
 L1 — #2 COPPER WIRE UP TO 40 FOOT RUN  
 #1 COPPER WIRE 40-100 FOOT RUN  
 GROUND —

NOTE: ALL WIRE IS COPPER.



CUSTOMER SUPPLIED QUICK DISCONNECT SWITCH  
 MOUNTED ON THE WALL TO THE SIDE OF THE KILN.  
 QUICK DISCONNECT MUST BE EQUIPPED WITH DUAL  
 TERMINALS

INPUT POWER TERMINAL STRIP  
 LOCATED ON KILN RIGHT SIDE