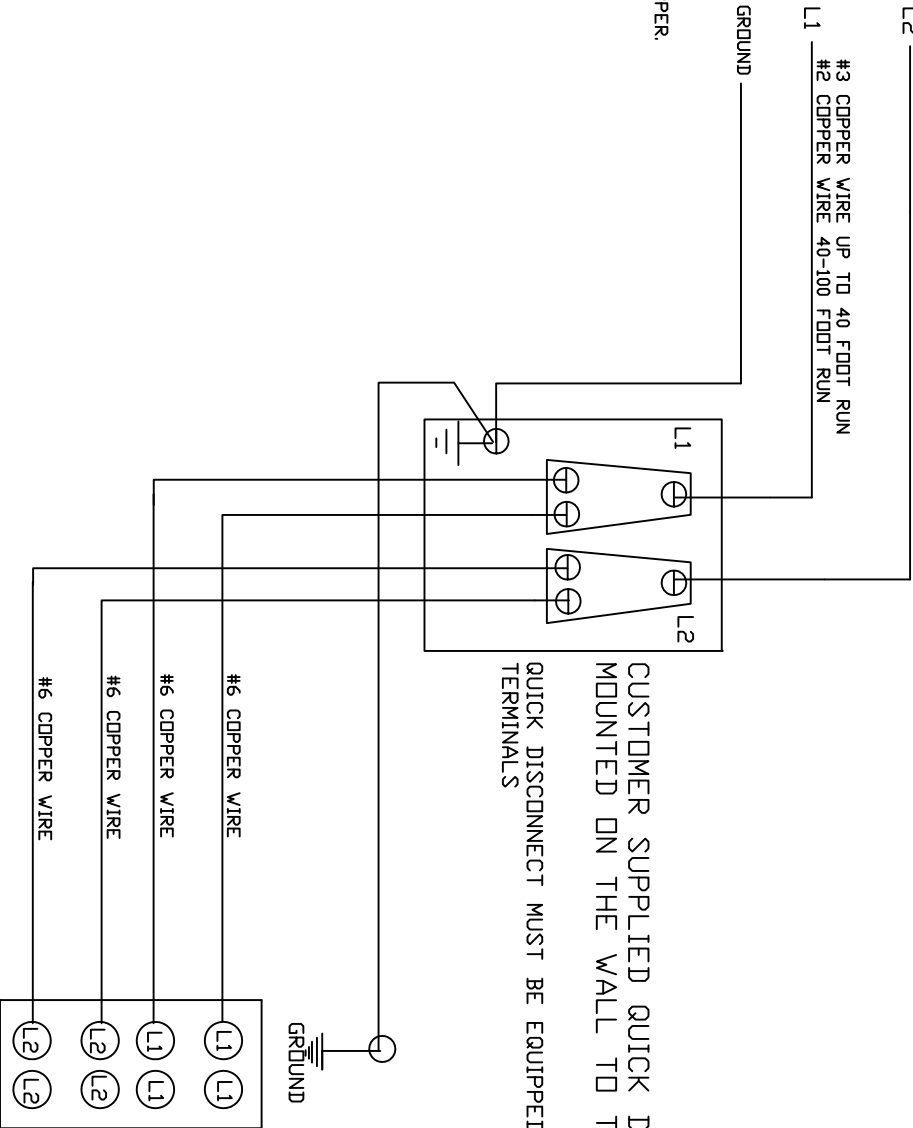


EC-242431FH SUPPLY WIRING 240-VOLT, SINGLE-PHASE, 65-AMPS.
 ANY MODIFICATIONS TO THIS DIAGRAM NEEDED TO MEET LOCAL AND NATIONAL CODES MUST BE FOLLOWED
 ALL ELECTRICAL WORK MUST BE PERFORMED BY A QUALIFIED ELECTRICIAN

240-VOLT,
 SINGLE PHASE
 INPUT FROM
 CIRCUIT BREAKER
 CIRCUIT BREAKER
 USE 90-AMP SIZE

L2 #3 COPPER WIRE UP TO 40 FOOT RUN
 #2 COPPER WIRE 40-100 FOOT RUN
 L1 #3 COPPER WIRE UP TO 40 FOOT RUN
 #2 COPPER WIRE 40-100 FOOT RUN
 GROUND

NOTE: ALL WIRE IS COPPER.



CUSTOMER SUPPLIED QUICK DISCONNECT SWITCH
 MOUNTED ON THE WALL TO THE SIDE OF THE KILN.
 QUICK DISCONNECT MUST BE EQUIPPED WITH DUAL
 TERMINALS

INPUT POWER TERMINAL STRIP
 LOCATED ON KILN RIGHT SIDE