



FXC30FH

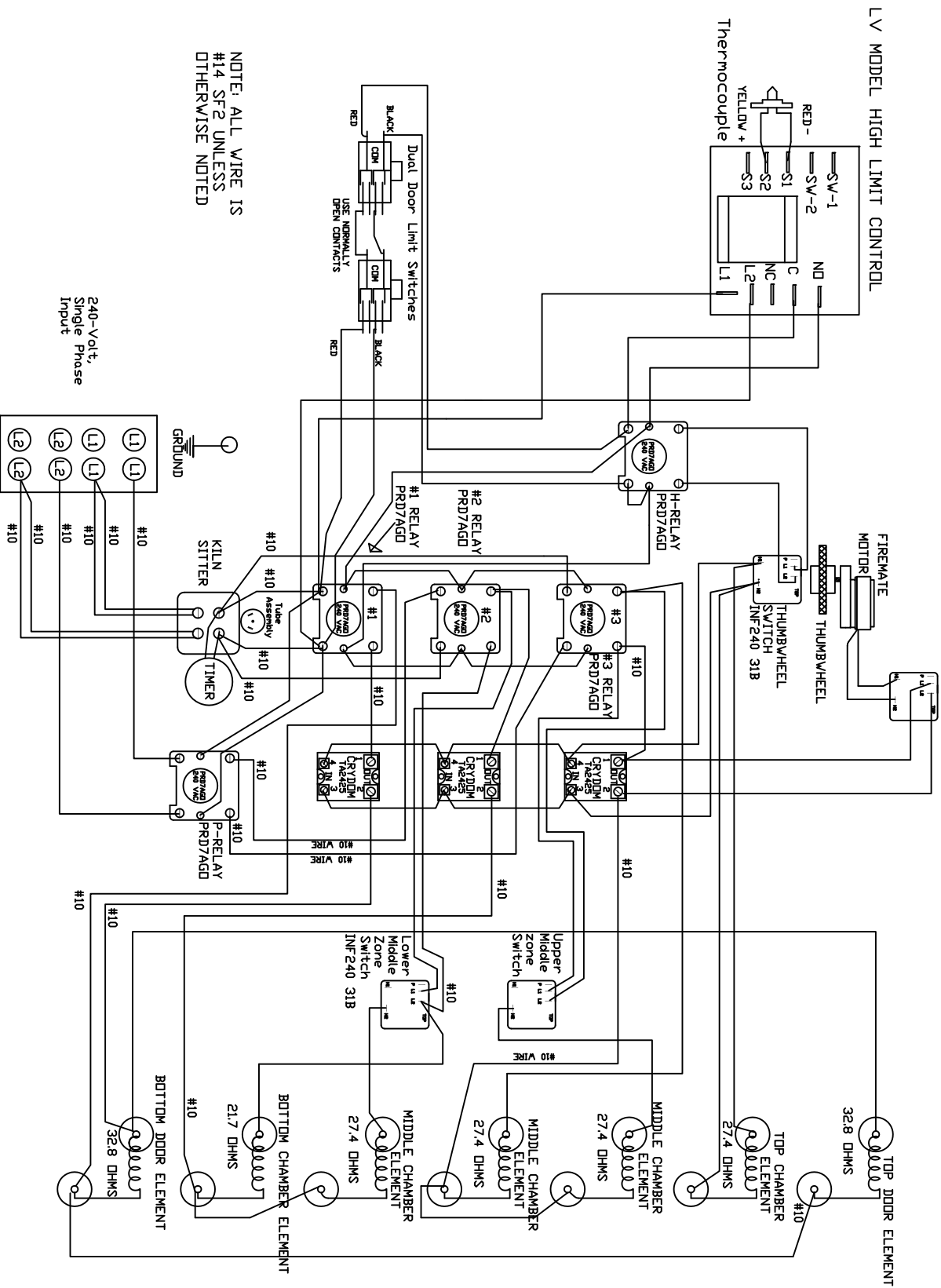
240-VOLT, SINGLE PHASE, 61-AMPS

electrical panel
RIGHT SIDE OF KILN

FXC30FH-240-1Ph-LVJWG
9/04

CDNE 10 DR 2400 F.

FIREMATE SPEED
CONTROL SWITCH
INF240D 953B



NOTE: ALL WIRE IS
#14 SFG UNLESS
OTHERWISE NOTED

240-Volt,
Single Phase
Input