



FXC30FH

208-VOLT, SINGLE PHASE, 75-AMPS

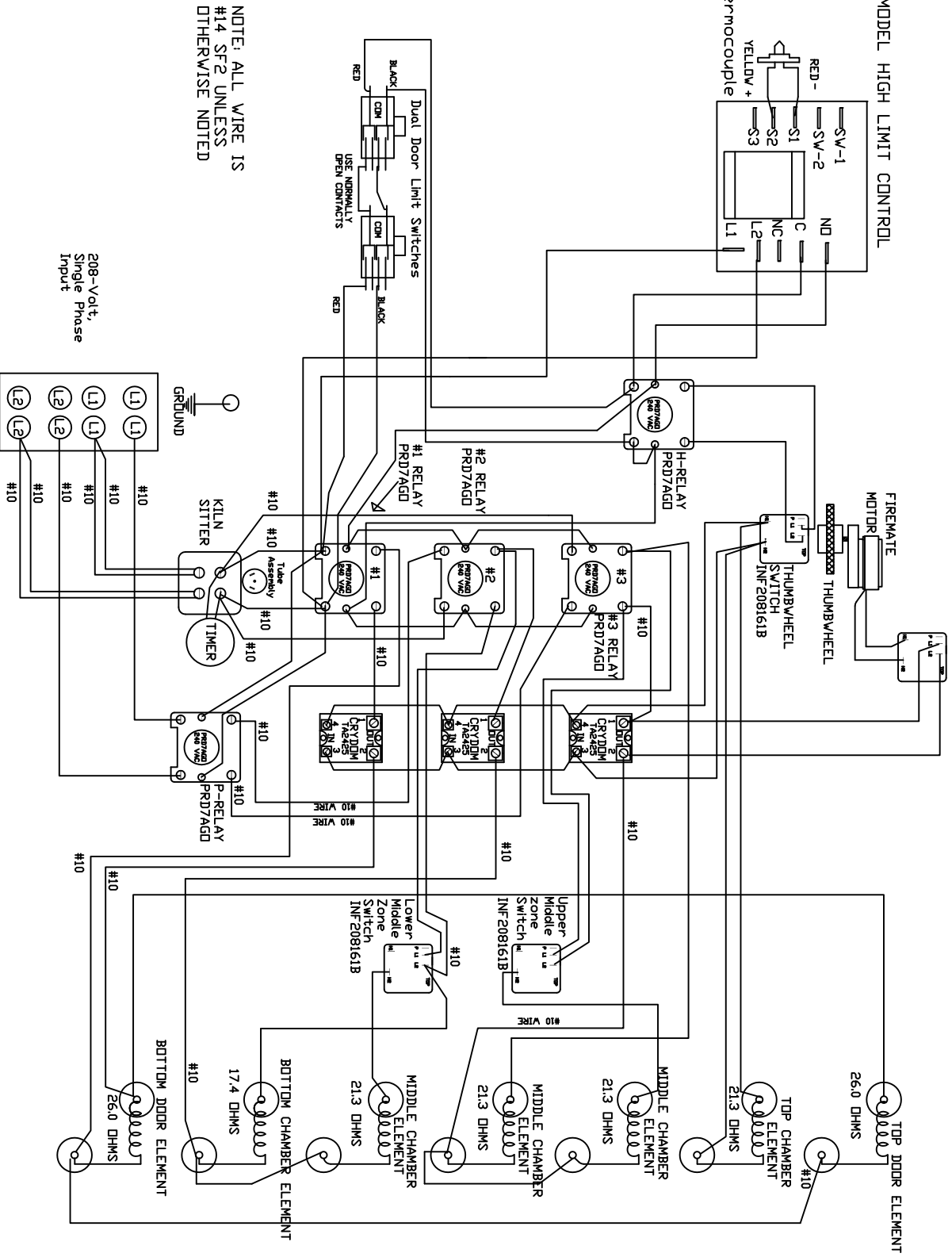
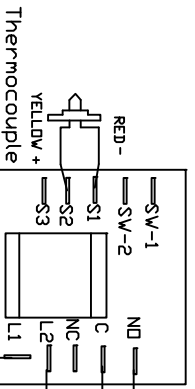
electrical panel
RIGHT SIDE OF KILN

FXC30FH-208-1Pn-LV.DWG
9/04

CDNE 10 DR 2400 F.

FIREMATE SPEED
CONTROL SWITCH
INF2400 953B

LV MODEL HIGH LIMIT CONTROL



NOTE: ALL WIRE IS
#14 SF2 UNLESS
OTHERWISE NOTED

208-Volt,
Single Phase
Input