



FJC30FH-208-3PH-LV/1V6

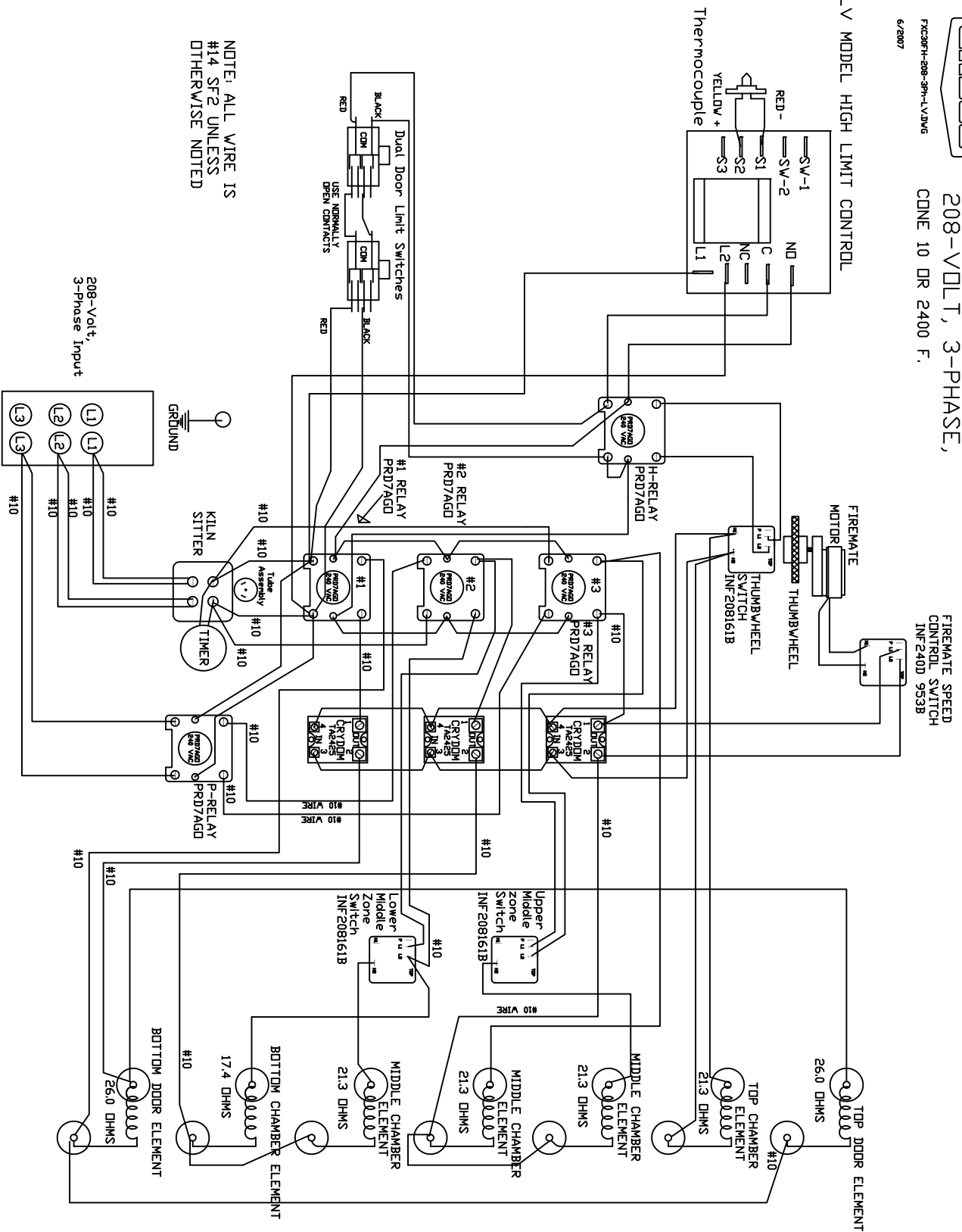
6/2007

# FJC30FH

208-VOLT, 3-PHASE,  
CONE 10 DR 2400 F.

electrical panel  
RIGHT SIDE OF KILN

LV MODEL HIGH LIMIT CONTROL



NOTE: ALL WIRE IS  
#14 SFG UNLESS  
OTHERWISE NOTED

208-Volt,  
3-Phase Input