



FXC30FH

208-VOLT, SINGLE PHASE, 68-AMPS

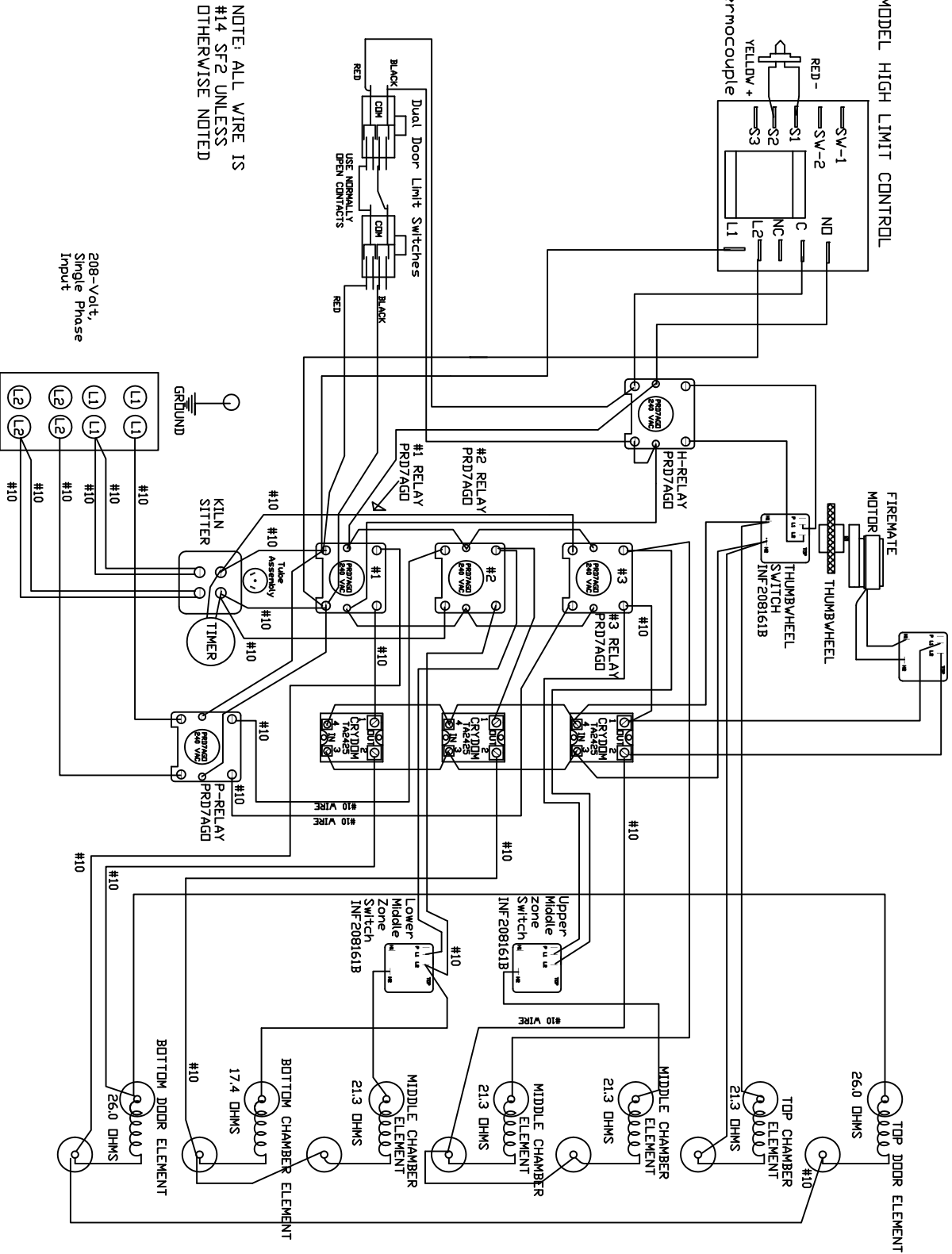
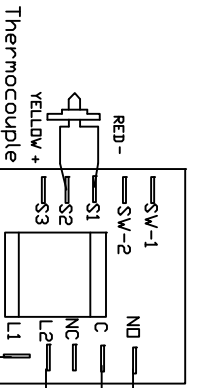
electrical panel
RIGHT SIDE OF KILN

FXC30FH-208-1PH-LV.DWG
9/04

CONN 10 OR 2400 F.

FIREMATE SPEED
CONTROL SWITCH
INF240D 953B

LV MODEL HIGH LIMIT CONTROL



NOTE: ALL WIRE IS
#14 SFG UNLESS
OTHERWISE NOTED

208-Volt,
Single Phase
Input