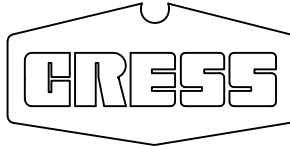


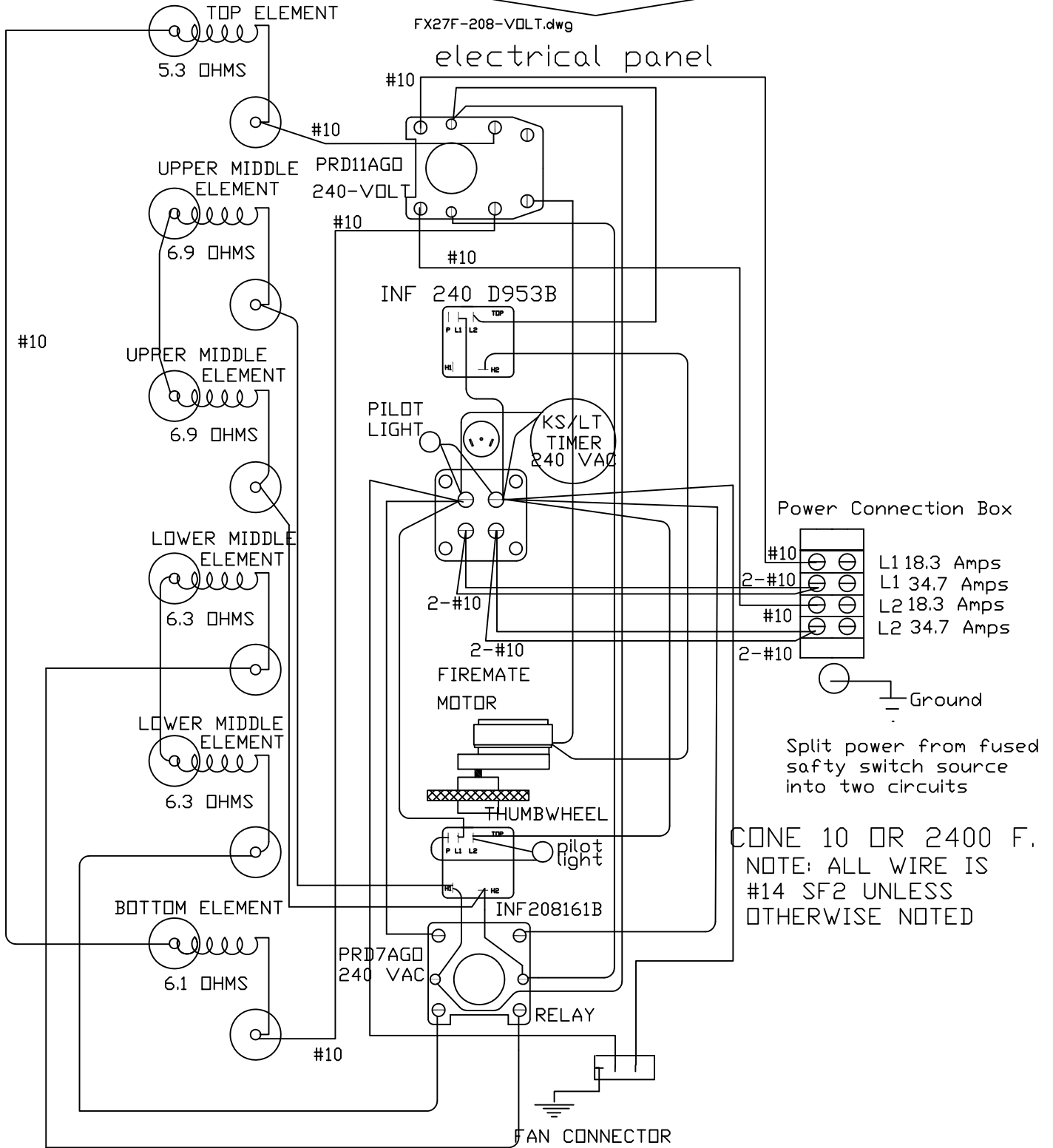
# FX27F 208-VOLT SINGLE PHASE

FRONT OF KILN



FX27F-208-VOLT.dwg

electrical panel



Power Connection Box

- #10 L1 18.3 Amps
- 2-#10 L1 34.7 Amps
- #10 L2 18.3 Amps
- 2-#10 L2 34.7 Amps

Ground

Split power from fused safety switch source into two circuits

CONE 10 OR 2400 F.  
NOTE: ALL WIRE IS #14 SF2 UNLESS OTHERWISE NOTED