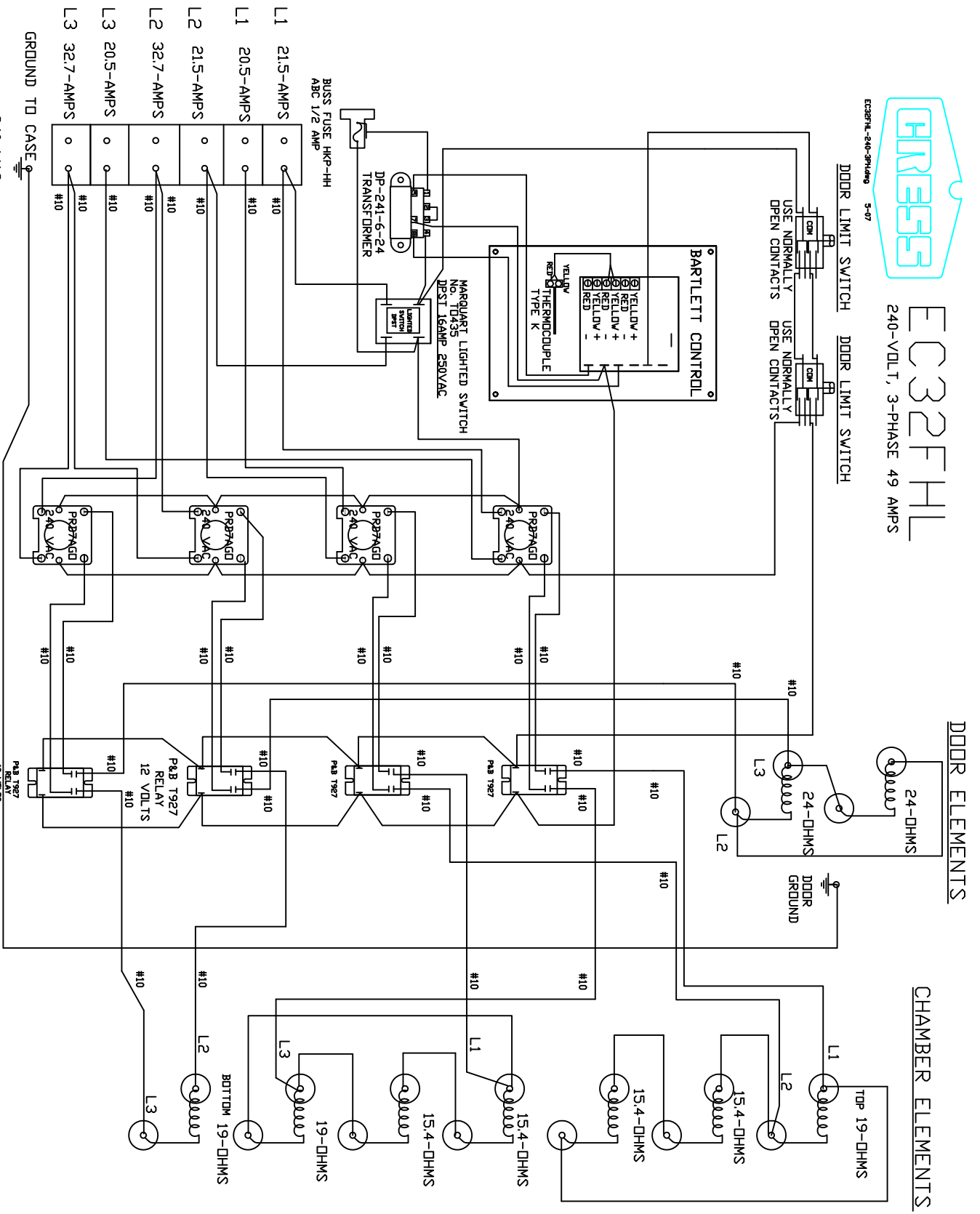




# EC32FHL

240-VOLT, 3-PHASE 49 AMPS

EC32FHL-240-3PH49 5-07



240-VAC,  
3-PHASE  
FROM FUSED  
DISCONNECT  
SWITCH.

POTTER  
BRUMFIELD  
RELAYS  
#PRD7AGD  
240-VOLT

POTTER  
BRUMFIELD  
RELAYS  
#T92S7D22-12  
12-VOLT