



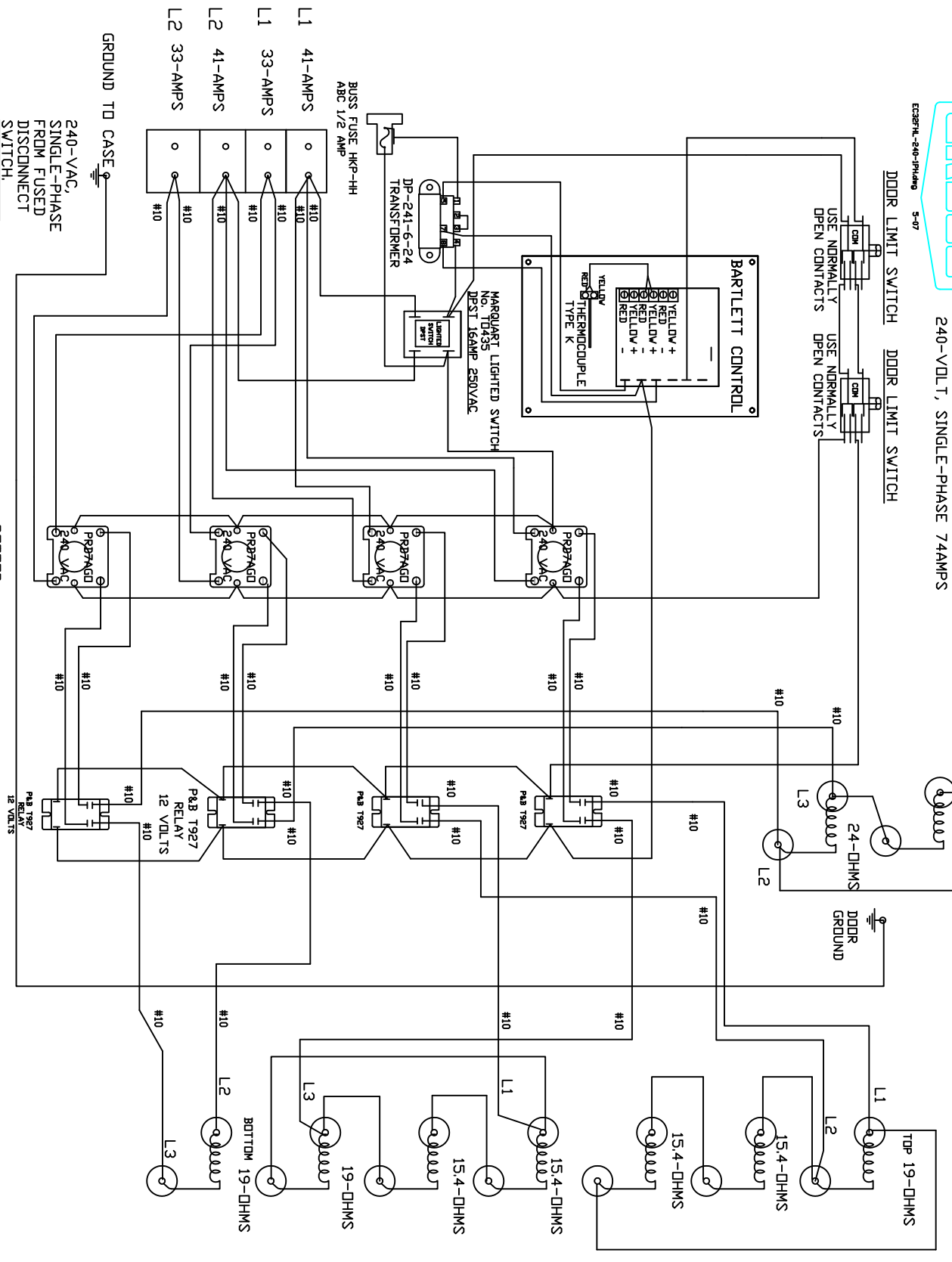
EC32FHL

240-VOLT, SINGLE-PHASE 74AMPS

EC32FHL-240-FHL-40g 5-17

DOOR ELEMENTS

CHAMBER ELEMENTS



240-VAC,
SINGLE-PHASE
FROM FUSED
DISCONNECT
SWITCH.

POTTER
BURMFIELD
RELAYS
#PRD7AGD
240-VOLTS

POTTER
BURMFIELD
RELAYS
#192S7D22-12
12-VOLTS

P&B 1927
RELAY
12 VOLTS

P&B 1927
RELAY
12 VOLTS