



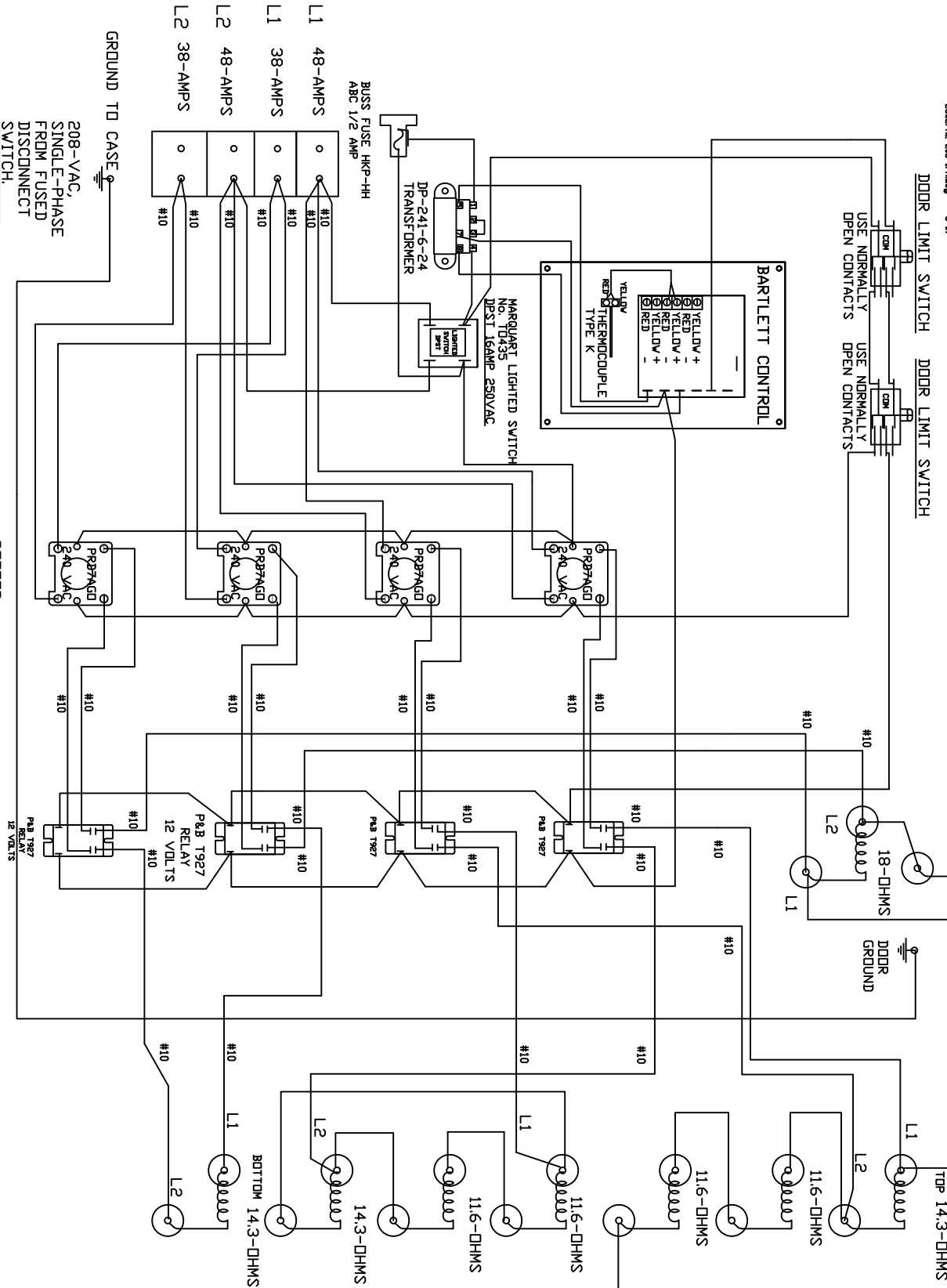
# EC32FHL

208-VOLT, SINGLE-PHASE 86-AMPS

EC32FHL-208-1PH-1Wg 5-17

## DOOR ELEMENTS

## CHAMBER ELEMENTS



208-VAC,  
SINGLE-PHASE  
FROM FUSED  
DISCONNECT  
SWITCH.

POTTER  
BURMFIELD  
RELEYS  
#PRD7AGD  
240-VOLTS

POTTER  
BURMFIELD  
RELEYS  
#192S7D22-12  
12-VOLT