



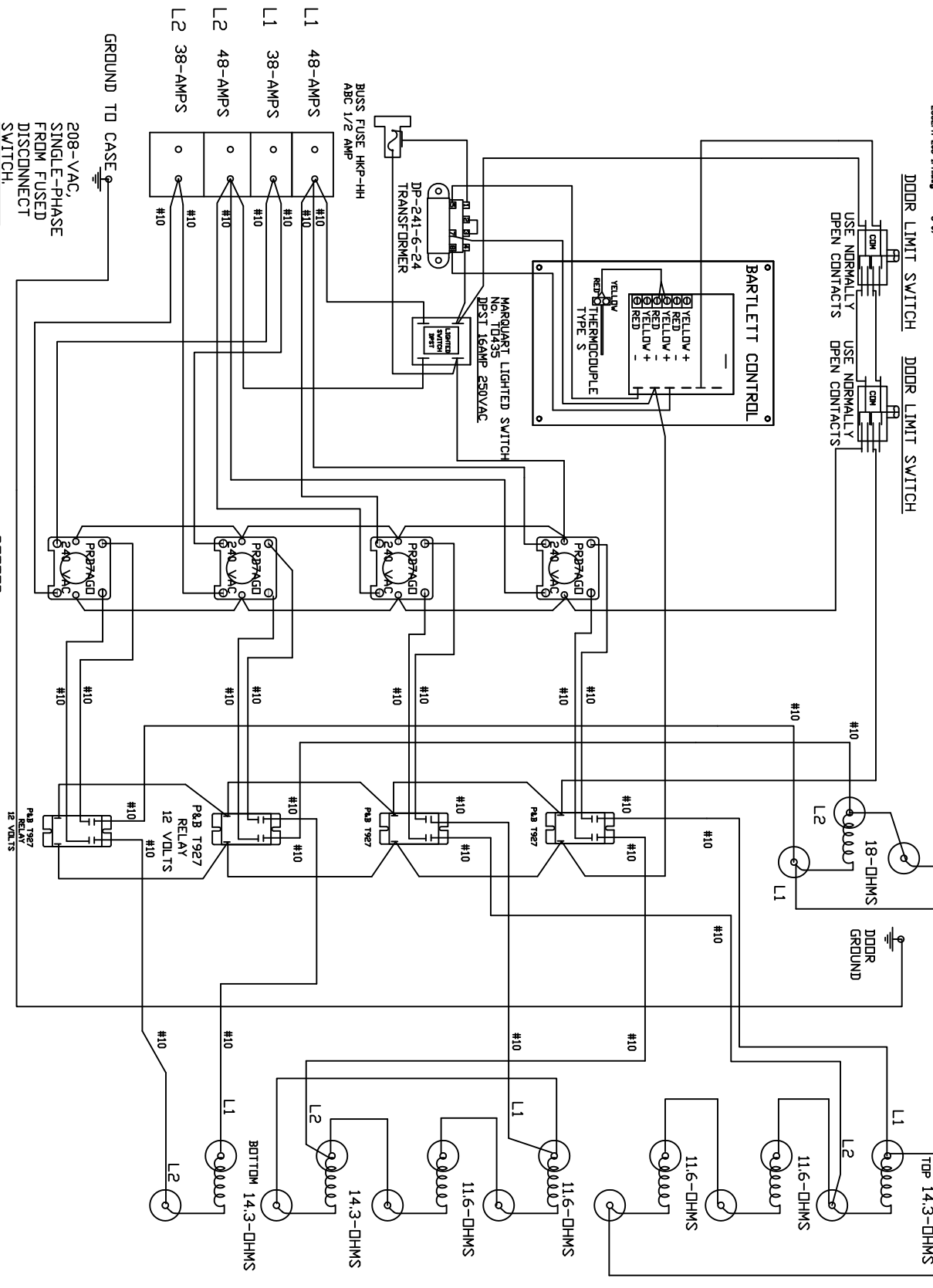
EC32FH-208-1PH-480 5-47

# EC32FH

208-VOLT, SINGLE-PHASE 86-AMPS

## DOOR ELEMENTS

## CHAMBER ELEMENTS



208-VAC,  
SINGLE-PHASE  
FROM FUSED  
DISCONNECT  
SWITCH.

GROUND TO CASE

- L1 48-AMPS
- L1 38-AMPS
- L2 48-AMPS
- L2 38-AMPS

BUSS FUSE HKP-HH  
ABC 1/2 AMP

DP-241-6-24  
TRANSFORMER

MARQUART LIGHTED SWITCH  
NO. TD435  
16AMP 250VAC

BARTLETT CONTROL  
YELLOW  
RED  
RED  
YELLOW +  
YELLOW +  
RED  
RED  
TYPE S  
THERMOCOUPLE

DOOR LIMIT SWITCH DOOR LIMIT SWITCH  
USE NORMALLY OPEN CONTACTS USE NORMALLY OPEN CONTACTS

DOOR GROUND  
18-OHMS  
18-OHMS  
L1 L2

TOP 14.3-OHMS  
L1 L2

BOTTOM 14.3-OHMS  
L1 L2

P&B 1927  
RELAY  
12 VOLTS

P&B 1927  
RELAY  
12 VOLTS

POTTER  
BURMFIELD  
RELEYS  
#PRD7AGD  
240-VOLTS

POTTER  
BURMFIELD  
RELEYS  
#192S7D22-12  
12-VOLT