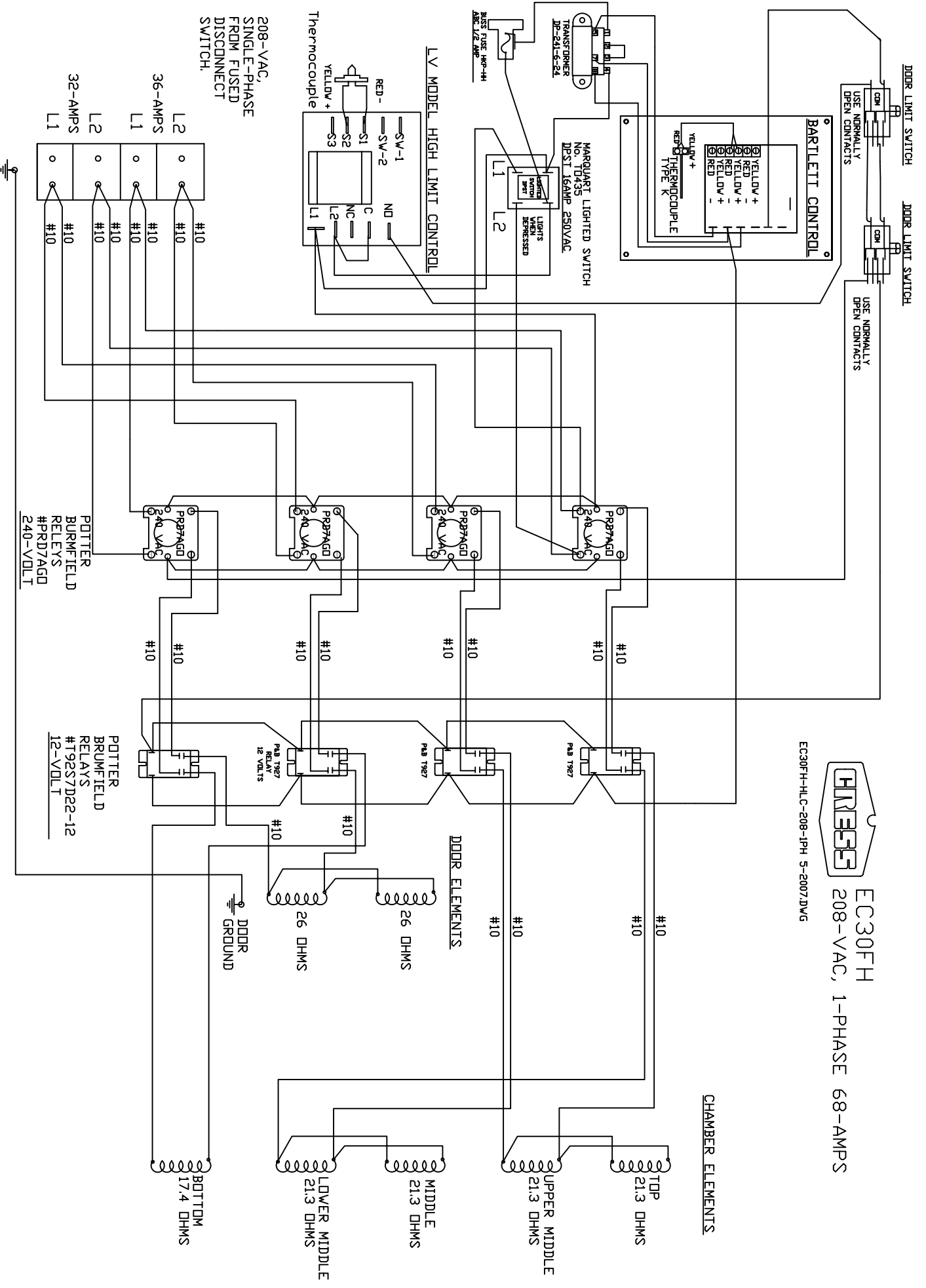




EC30FH
208-VAC, 1-PHASE 68-AMPS

EC30FH-HLC-208-1PH 5-2007.DWG



208-VAC,
SINGLE-PHASE
FROM FUSED
DISCONNECT
SWITCH.

GROUND TO CASE

WIRE IS #14 GAUGE SF-2, UNLESS OTHERWISE NOTED.