

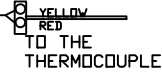
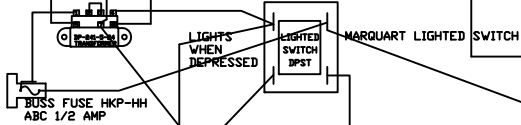
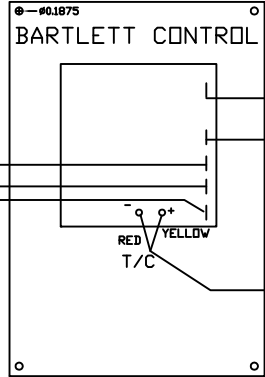
E27, ET27, OR ET28  
220 VOLTS 44 AMPS



1/10/99

E27 OR ET27 ET28  
240 VOLTS 48 AMPS

E27F.DWG



T/C IS THE THERMOCOUPLE

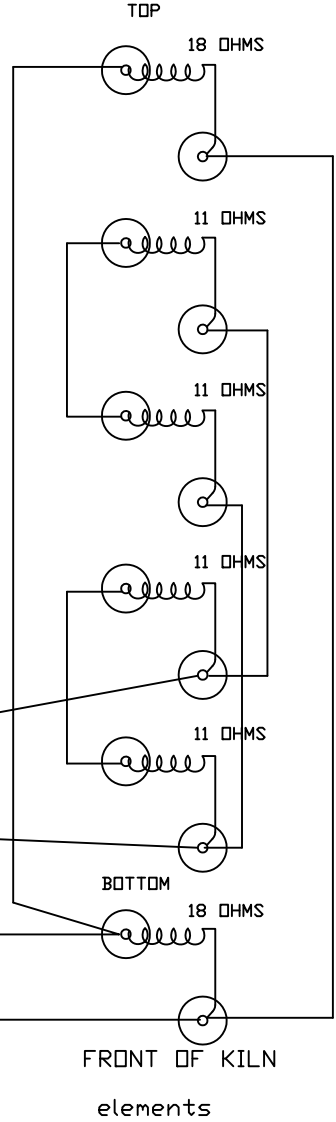
ALTERNATE RELAYS  
PRD7AGD, PRD7AYD OR  
MAGNACRAFT  
W389ACX

P&B T927  
RELAY  
12 VOLTS

P&B T927  
RELAY  
12 VOLTS

P&B T927  
RELAY  
12 VOLTS

P&B T927  
RELAY  
12 VOLTS



OPTIONAL WIRE DIRECT

GROUND TO CASE

OPTIONAL  
250 VAC 50 AMP  
PLUG TYPE L6-60P  
CORD AWG 6  
105 DEG C

FANFARE  
CONNECTION

CINCHE 5-303AB

NRTL/C



1/10/99

E27 OR ET27  
220 VOLTS 44 AMPS

E27F.DWG