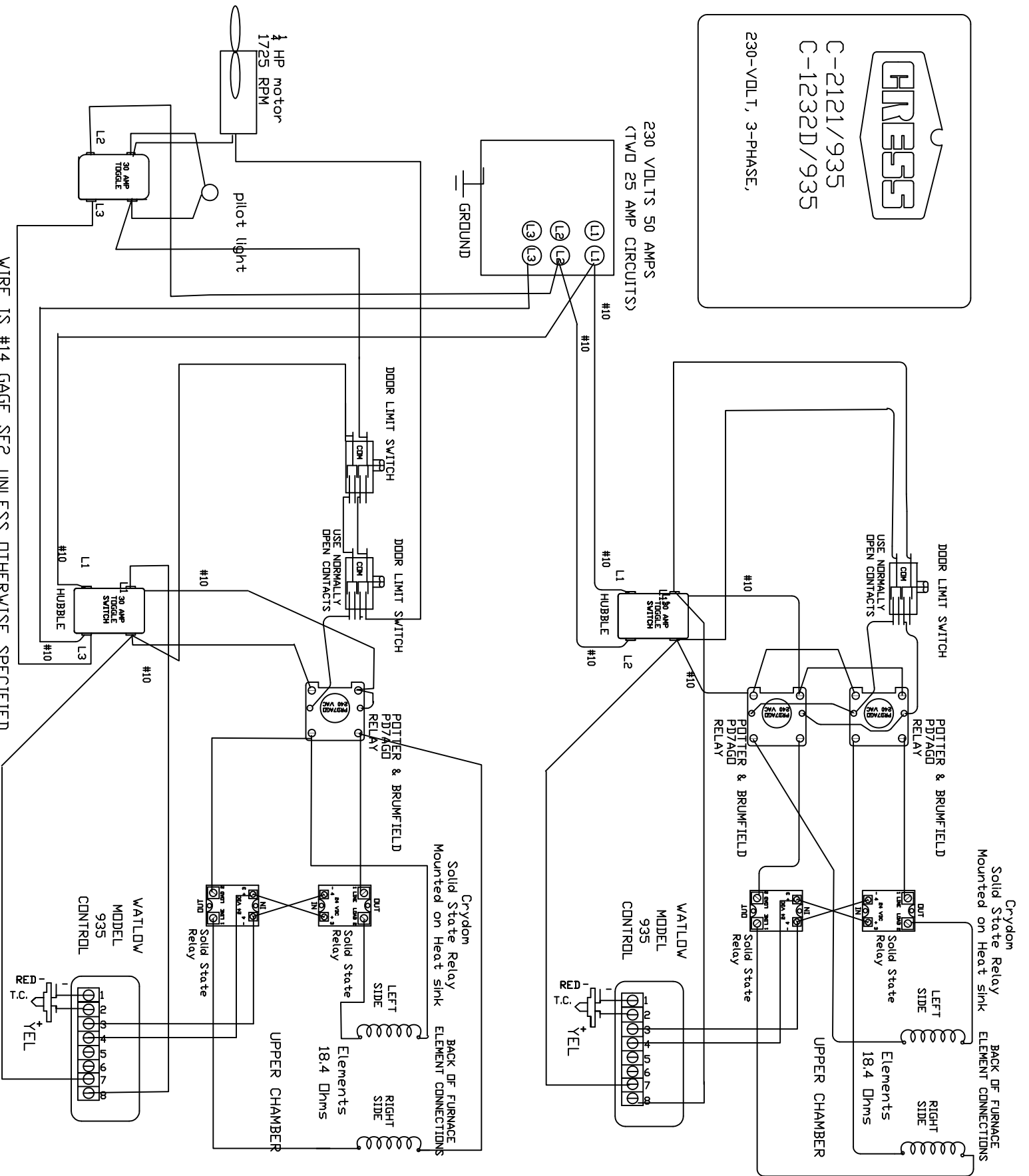


230 VOLTS 50 AMPS  
 (TWO 25 AMP CIRCUITS)



WIRE IS #14 GAGE SF2 UNLESS OTHERWISE SPECIFIED.