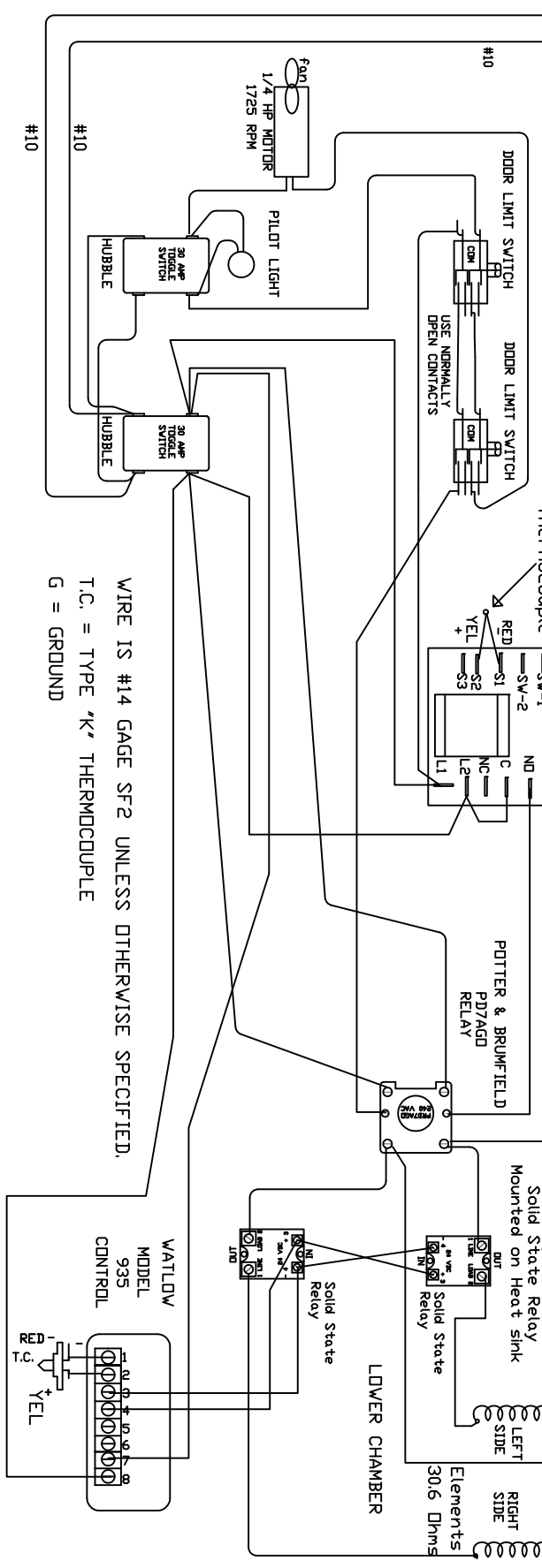
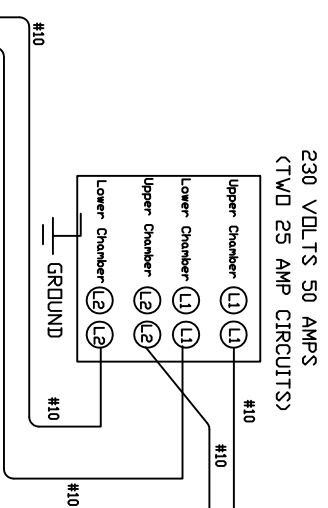


**C2121/935 HLC**  
**230 VOLTS 45 AMP**  
**208 VOLTS 47 Amps**  
**SINGLE PHASE**

C2121-935-HLC  
 (LV)230-1ph.dwg  
 11/04



WIRE IS #14 GAGE SF2 UNLESS OTHERWISE SPECIFIED.  
 T.C. = TYPE 'K' THERMOCOUPLE  
 G = GROUND

DOOR LIMIT SWITCH  
 USE NORMALLY OPEN CONTACTS

Crydom Solid State Relay Mounted on Heat Sink

Thermocouple  
 RED YEL +

BACK OF FURNACE ELEMENT CONNECTIONS