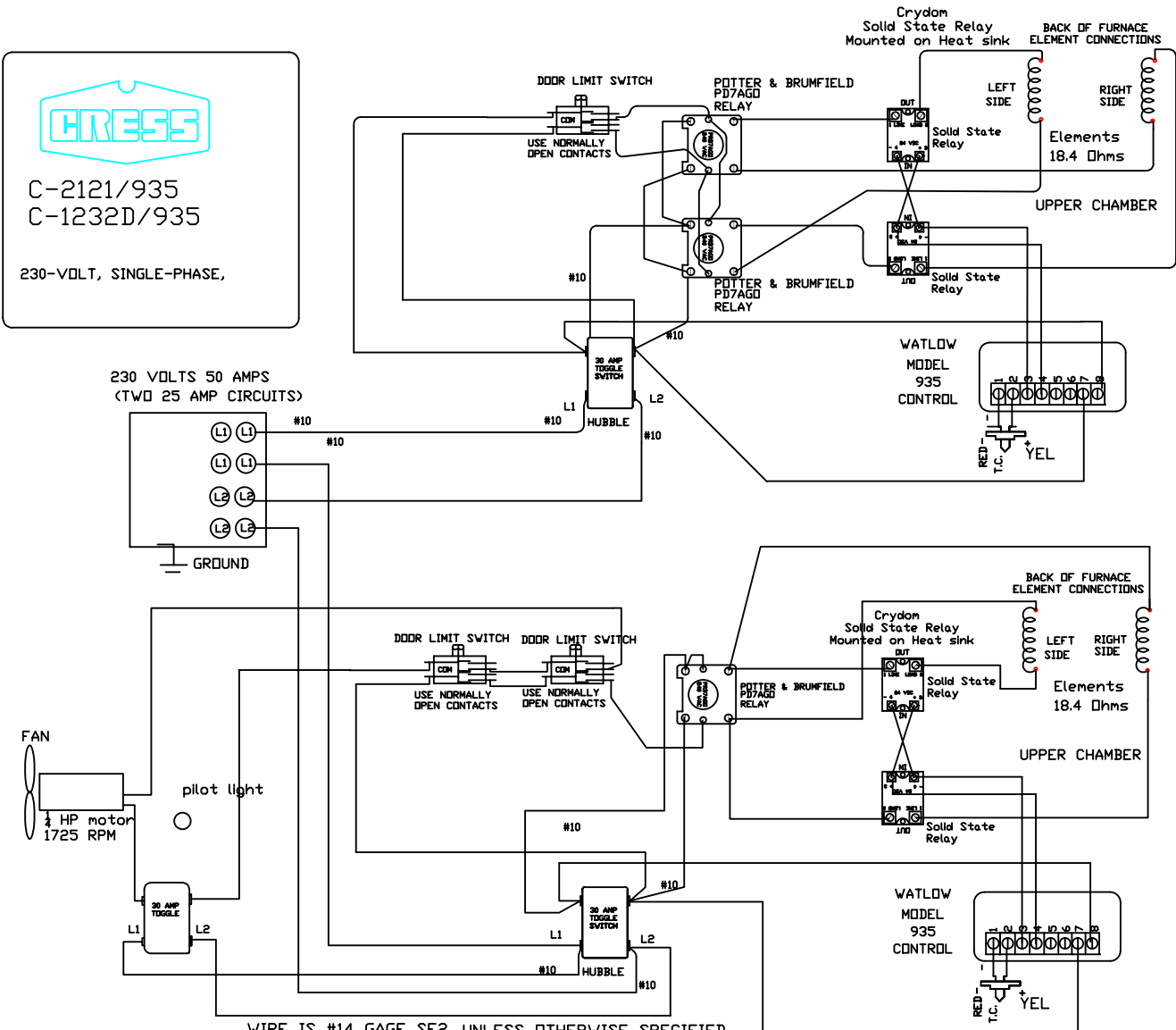




C-2121/935
C-1232D/935

230-VOLT, SINGLE-PHASE,



230 VOLTS 50 AMPS
(TWO 25 AMP CIRCUITS)

WIRE IS #14 GAGE SF2 UNLESS OTHERWISE SPECIFIED.
T.C. = TYPE "K" THERMOCOUPLE
G = GROUND