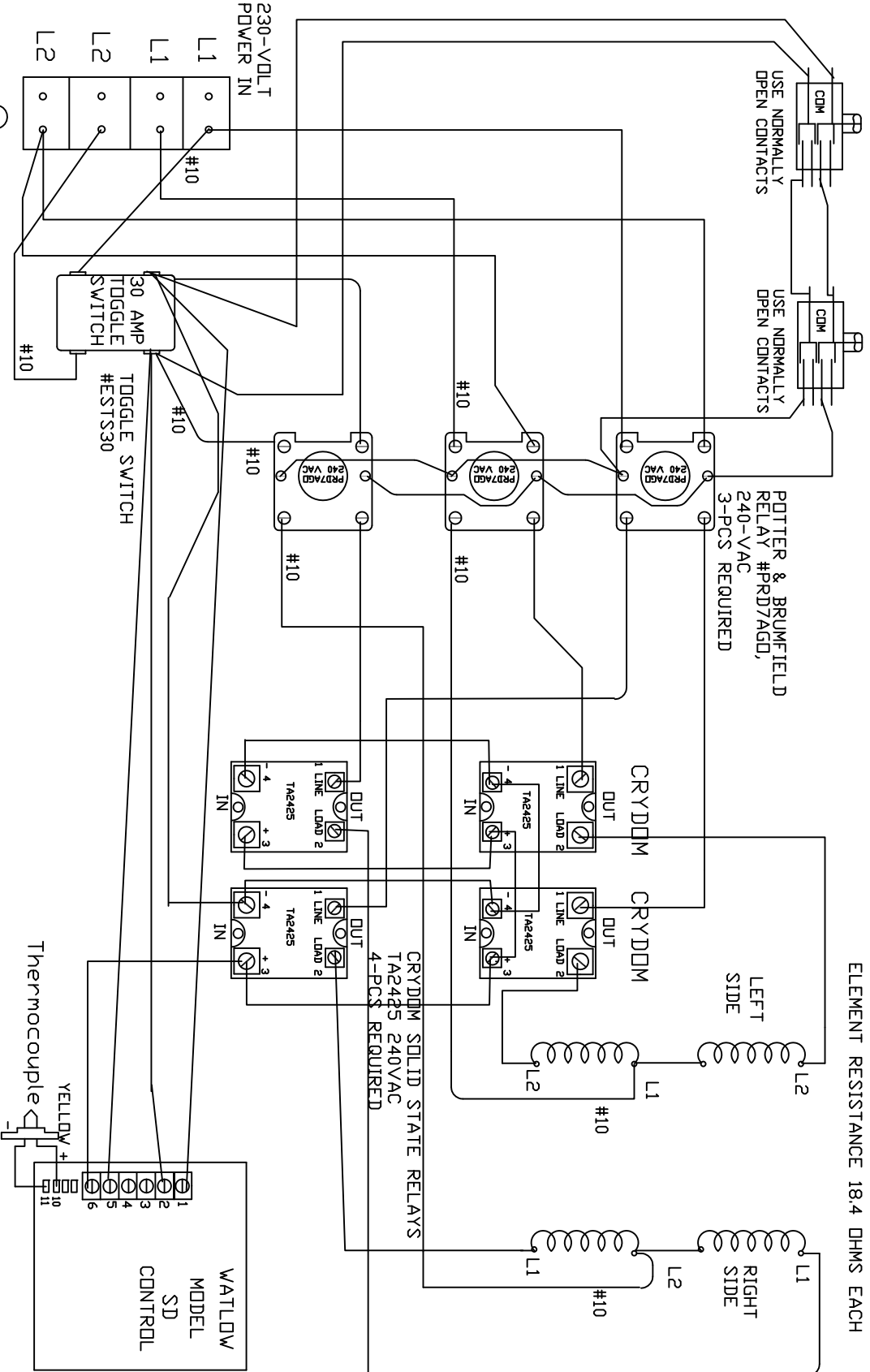


C182420/SD

DOOR LIMIT SWITCHES
PART #ESMS15
2-PCS REQUIRED

240-VOLT, 50-AMPS, SINGLE PHASE

BACK OF FURNACE
ELEMENT CONNECTIONS
ELEMENT RESISTANCE 18.4 OHMS EACH



WIRE IS #14 GAGE SF2 UNLESS OTHERWISE SPECIFIED.
T.C. = TYPE 'K' THERMOCOUPLE
G = GROUND