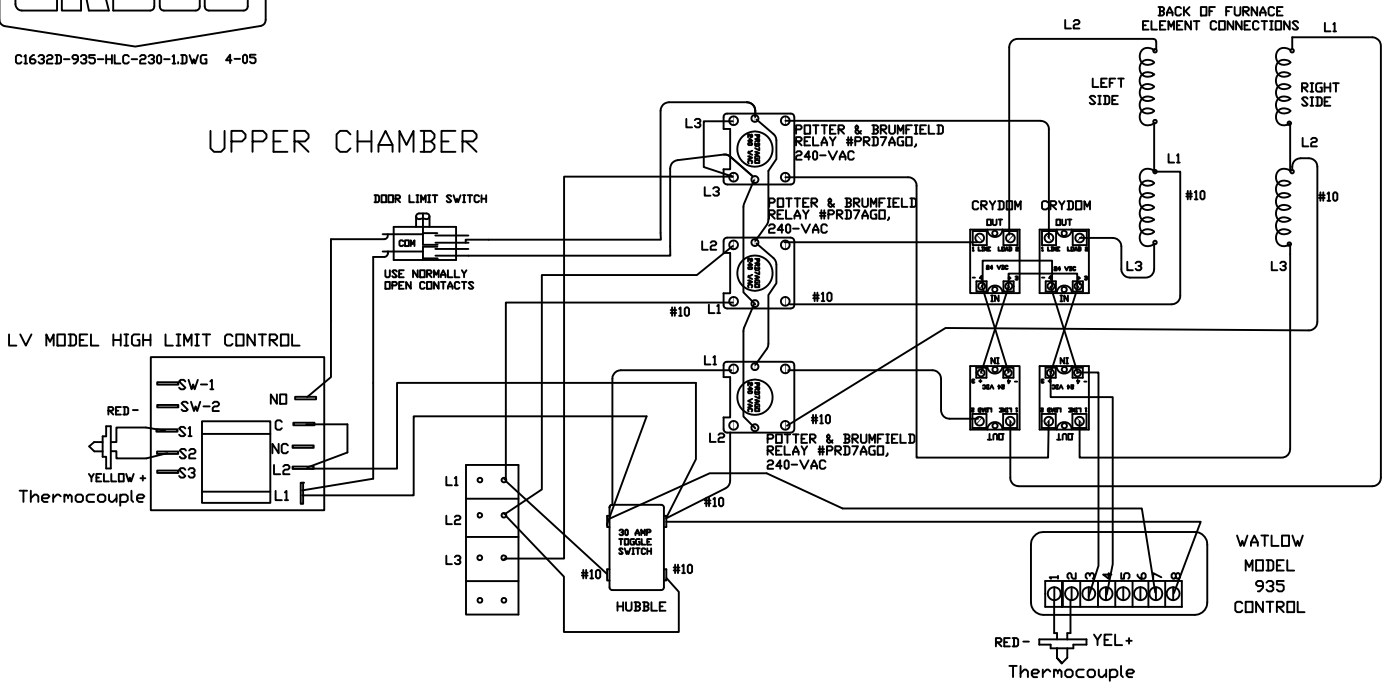


C1632D/935 HLC

230-VOLT, 3-PHASE
208-VOLT, 3-PHASE

C1632D-935-HLC-230-1.DWG 4-05

UPPER CHAMBER



LOWER CHAMBER

