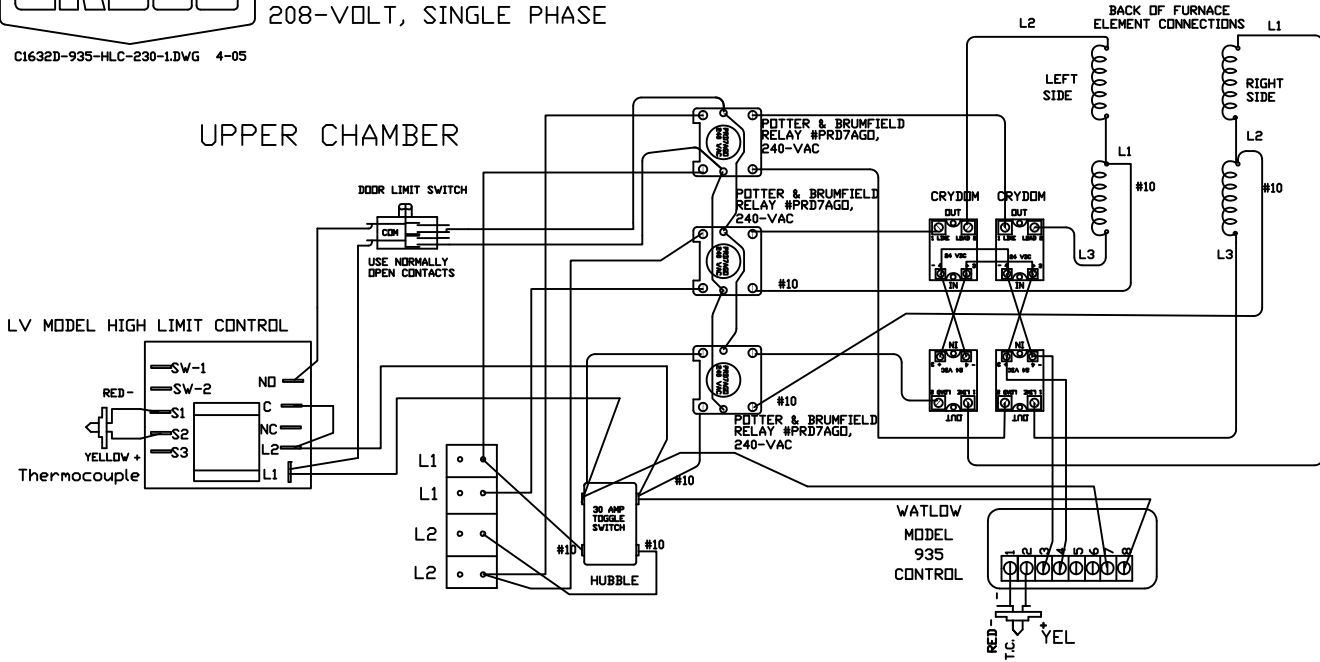


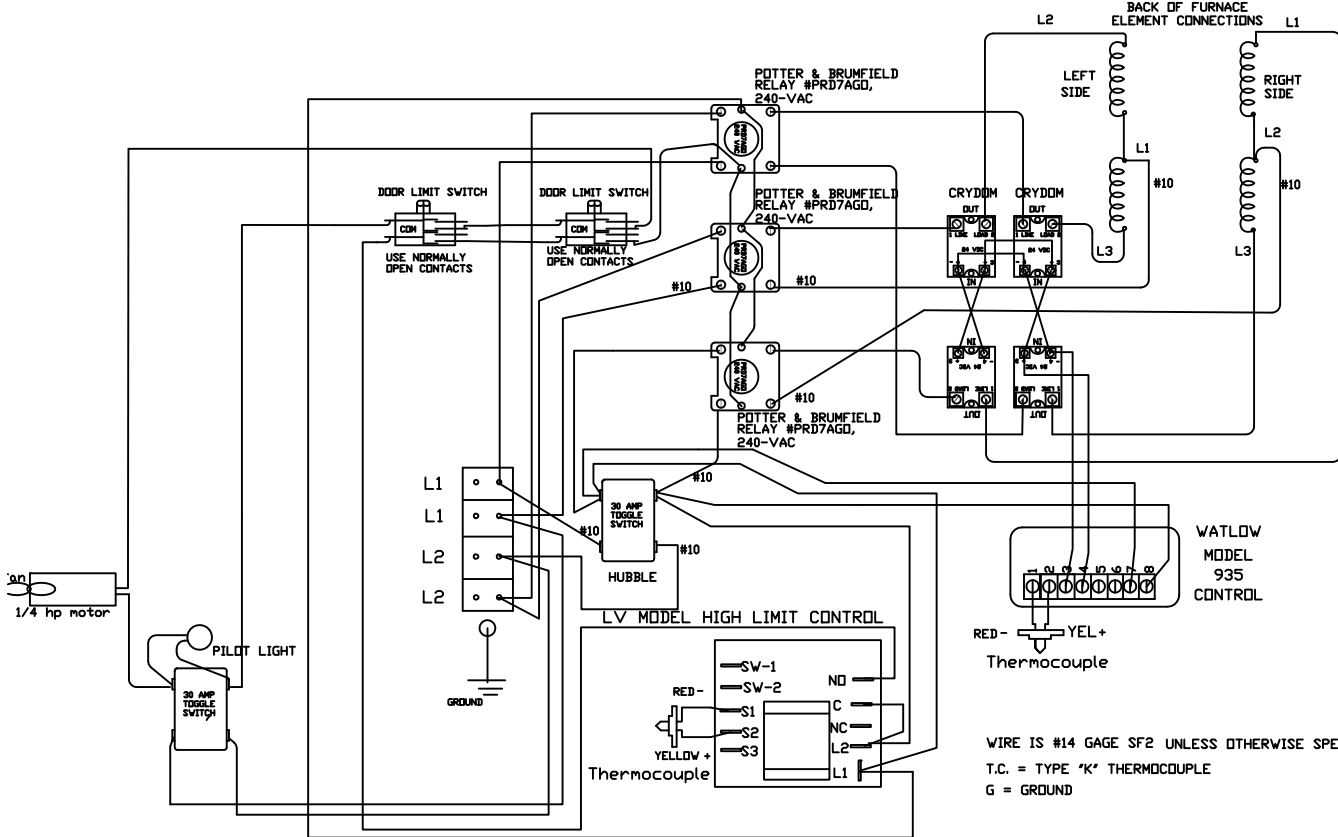
C1632D/935 HLC
 230-VOLT, 80-AMPS, SINGLE PHASE
 208-VOLT, SINGLE PHASE

C1632D-935-HLC-230-1.DWG 4-05

UPPER CHAMBER



LOWER CHAMBER



WIRE IS #14 GAGE SF2 UNLESS OTHERWISE SPECIFIED.
 T.C. = TYPE 'K' THERMOCOUPLE
 G = GROUND