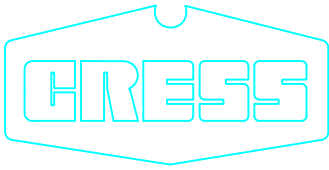


C163212D/SD-935 HLCU

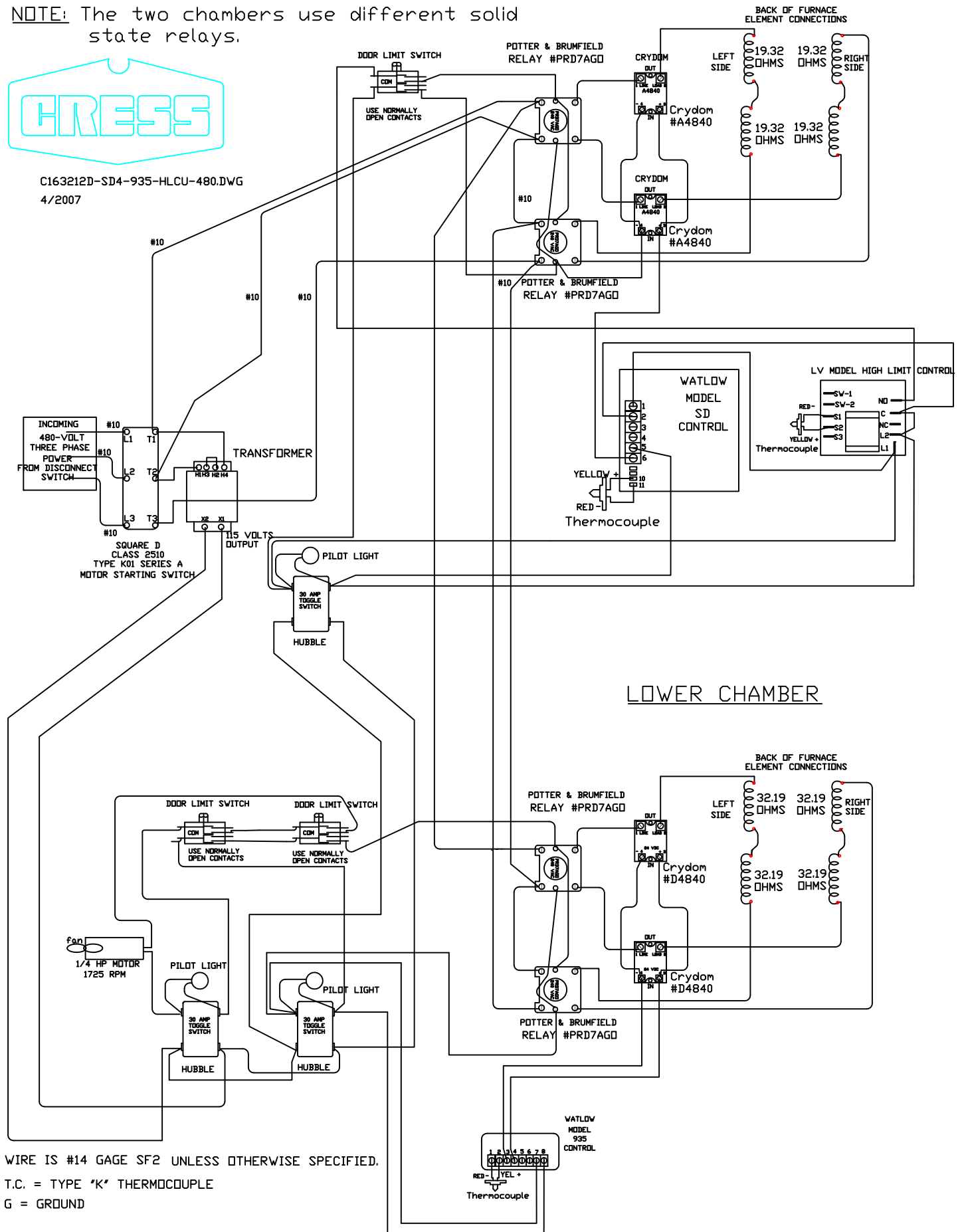
480-VOLT 3-PHASE

UPPER CHAMBER

NOTE: The two chambers use different solid state relays.



C163212D-SD4-935-HLCU-480.DWG
4/2007



WIRE IS #14 GAGE SF2 UNLESS OTHERWISE SPECIFIED.
T.C. = TYPE "K" THERMOCOUPLE
G = GROUND