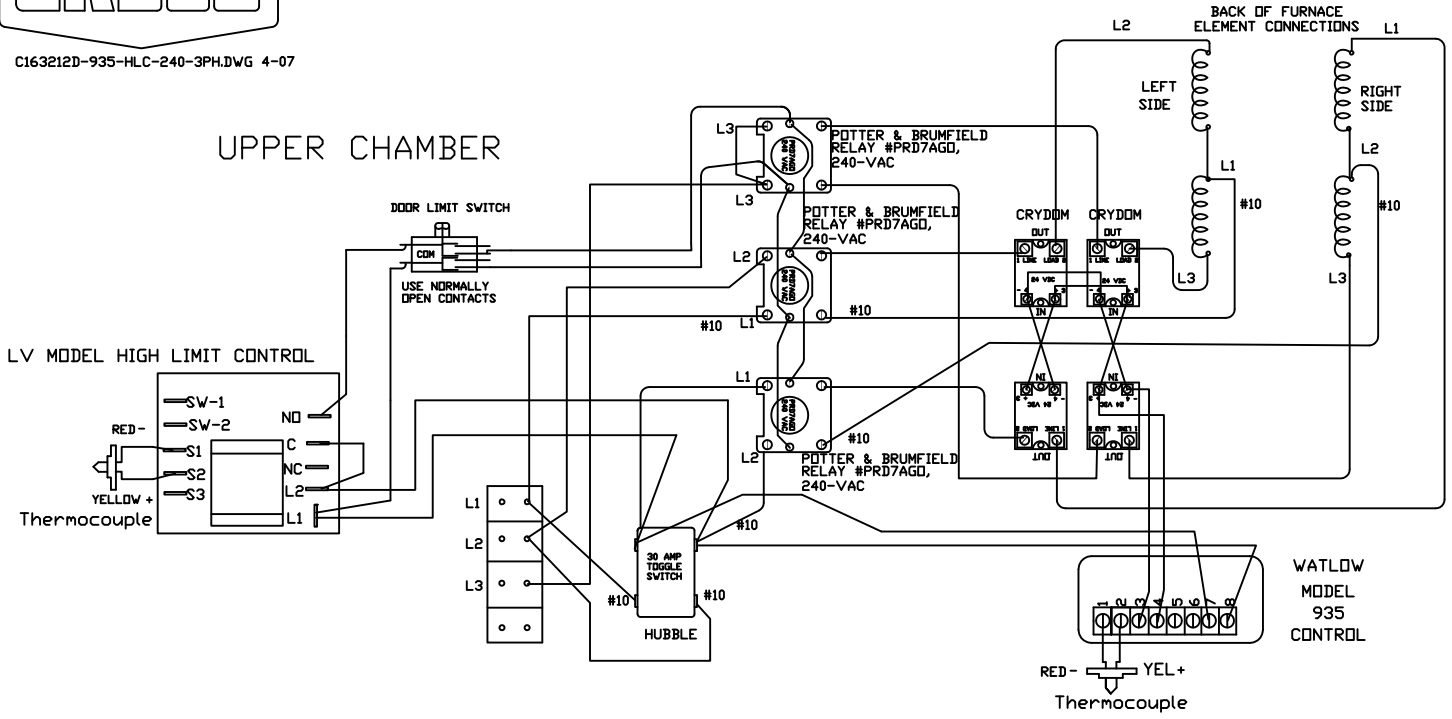


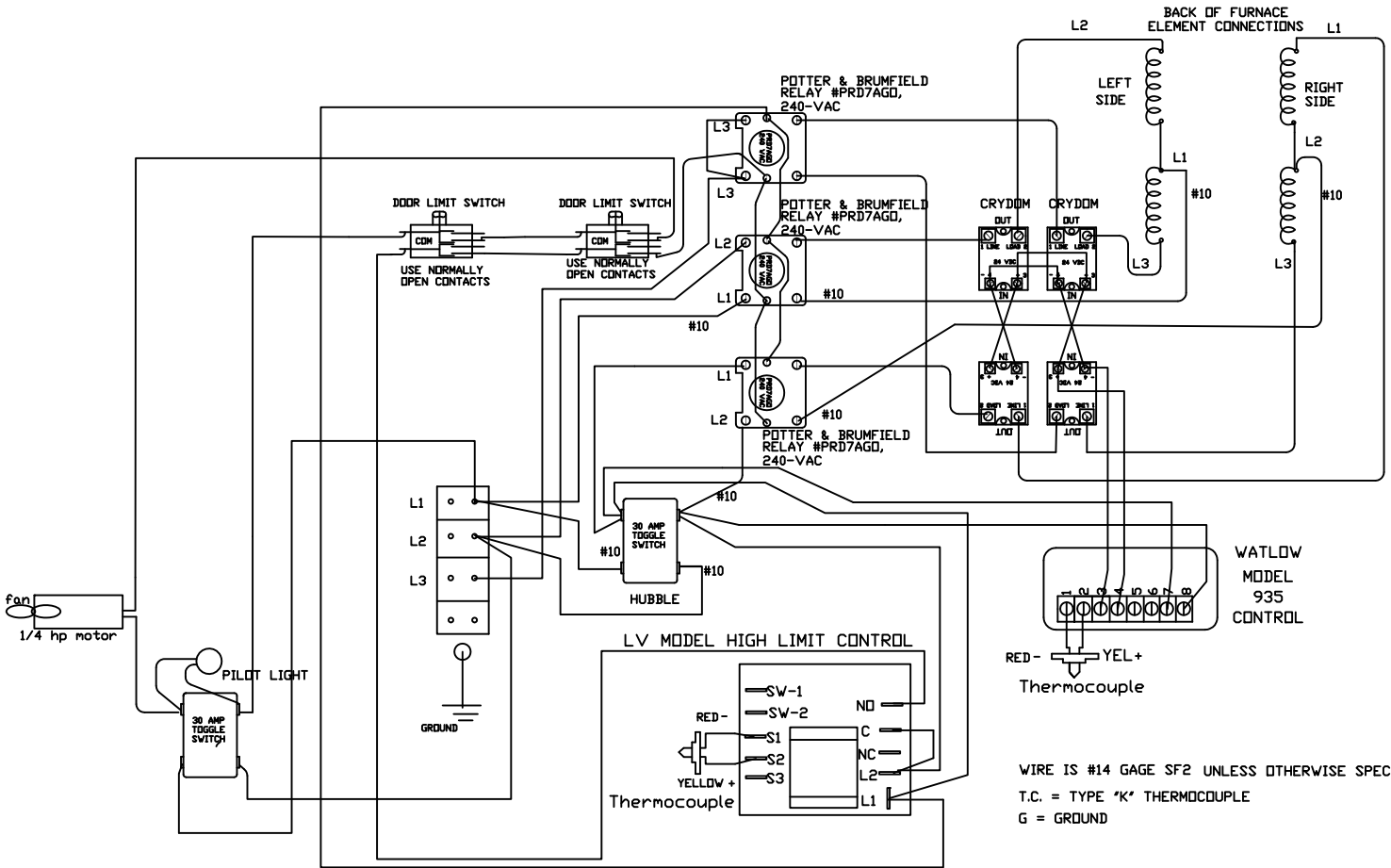
C163212D/935 HLC  
240-VOLT, 3-PHASE, 54-AMPS

C163212D-935-HLC-240-3PH.DWG 4-07

UPPER CHAMBER



LOWER CHAMBER



WIRE IS #14 GAGE SF2 UNLESS OTHERWISE SPECIFIED.  
T.C. = TYPE 'K' THERMOCOUPLE  
G = GROUND