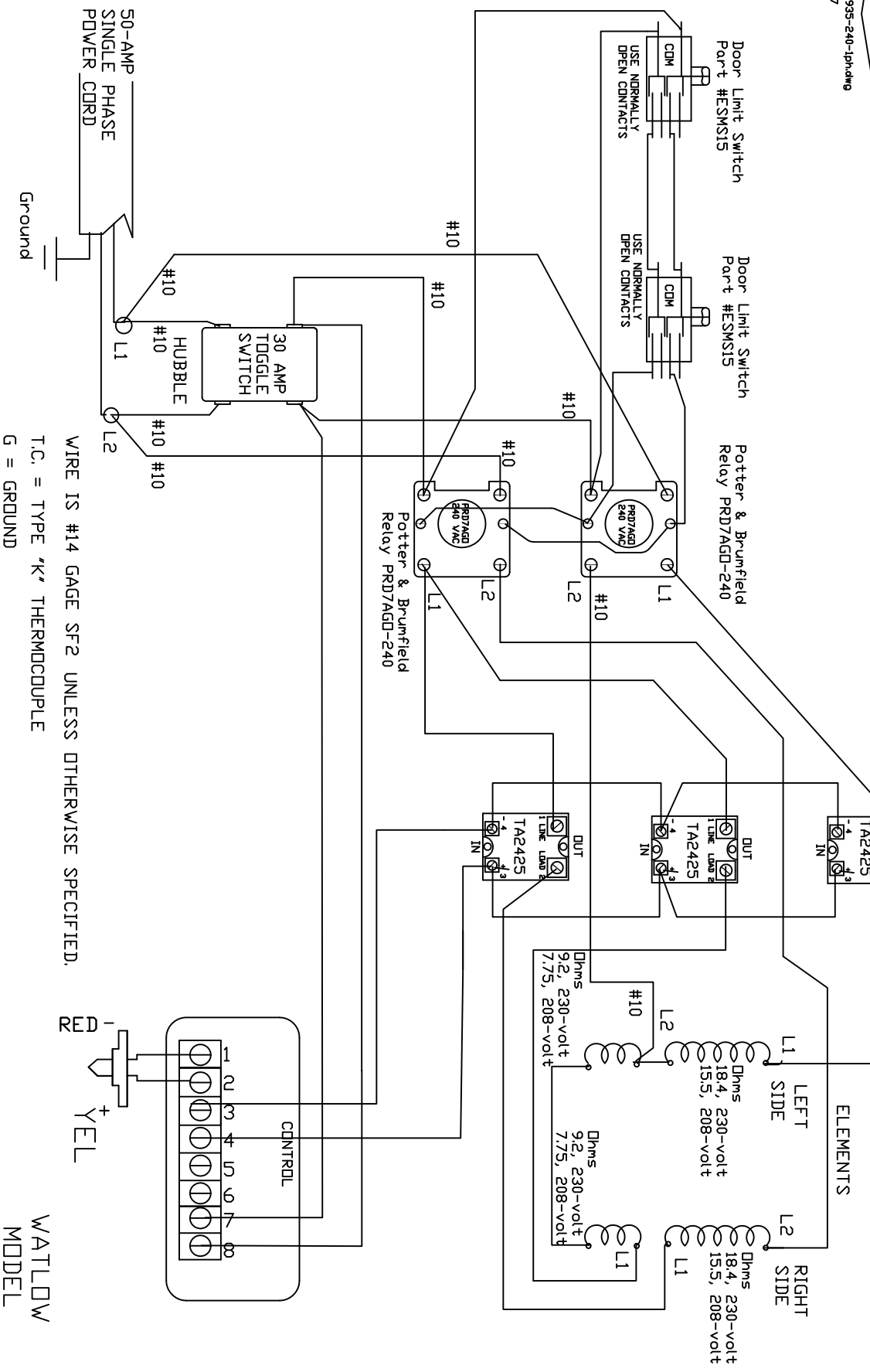


C1620-935-240-1ph.dwg
03/2007

C-162010/935
C-162012/935
240-VOLT, SINGLE-PHASE, 39-AMPS 9-KW
208-VOLT, SINGLE-PHASE, 40-AMPS 8.4-KW

Crydom #TA2425
Solid State Relays

BACK OF FURNACE
ELEMENT CONNECTIONS



WIRE IS #14 GAGE SF2 UNLESS OTHERWISE SPECIFIED.
T.C. = TYPE 'K' THERMOCOUPLE
G = GROUND

WATLOW
MODEL
935