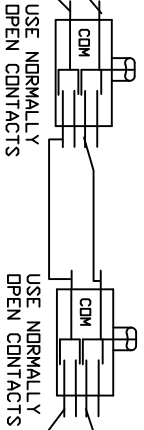


C1240/935

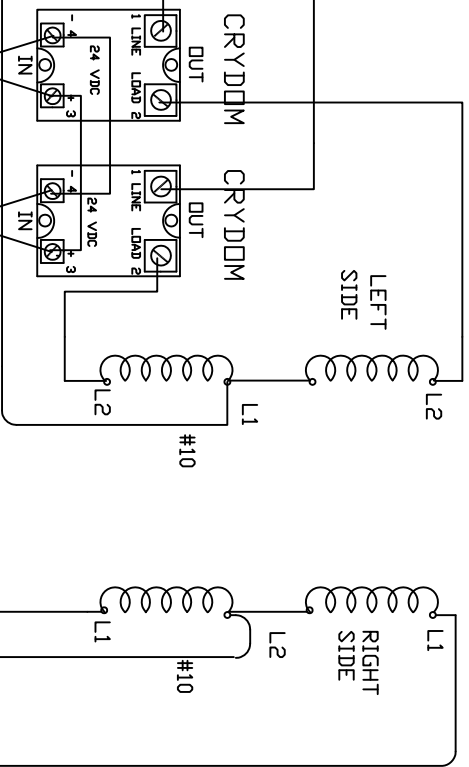
240-VOLT, 52-AMPS, SINGLE PHASE

BACK OF FURNACE
ELEMENT CONNECTIONS
ELEMENT RESISTANCE 18.4 OHMS EACH

DOOR LIMIT SWITCHES
PART #ESMS15
2-PCS REQUIRED

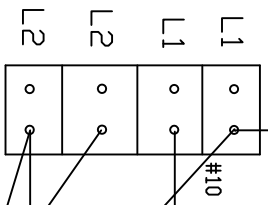


POTTER & BRUMFIELD
RELAY #PRD7AGD,
240-VAC
3-PCS REQUIRED

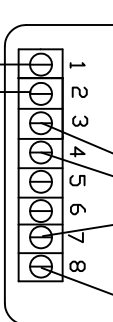


CRYDDM SOLID STATE RELAYS
#ESRT240D25 12-VDC
4-PCS REQUIRED

230-VOLT
POWER IN



30 AMP
TOGGLE
SWITCH
#ESTS30



MODEL 935 DIGITAL CONTROL
PART # ECW935

WIRE IS #14 GAGE SF2 UNLESS OTHERWISE SPECIFIED.
T.C. = TYPE 'K' THERMOCOUPLE
G = GROUND

Ground