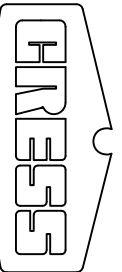


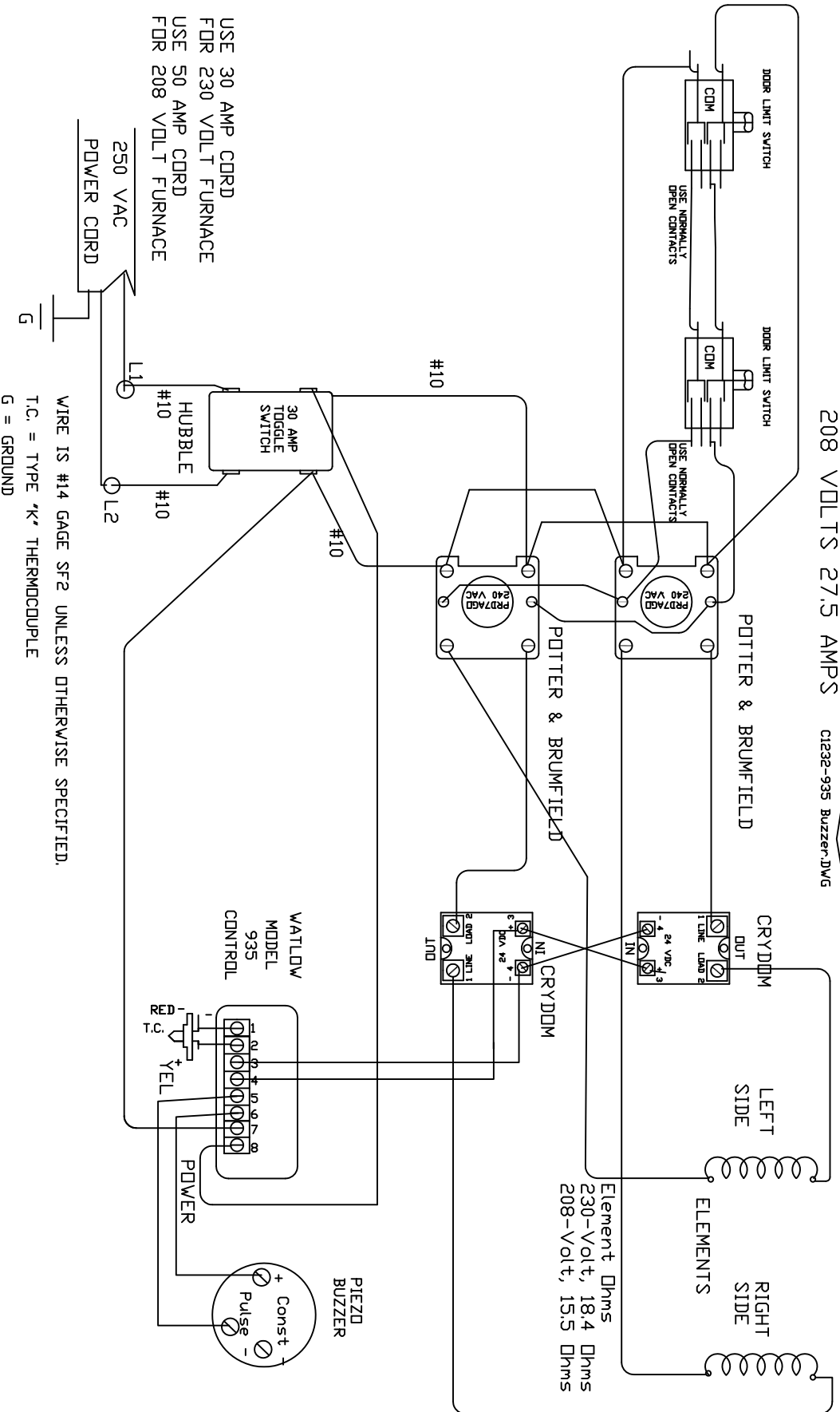
C1232-935 FURNACE



230 VOLTS 25 AMPS
208 VOLTS 27.5 AMPS

C1232-935 Buzzer-DWG

BACK OF FURNACE
ELEMENT CONNECTIONS



USE 30 AMP CORD
FOR 230 VOLT FURNACE
USE 50 AMP CORD
FOR 208 VOLT FURNACE

WIRE IS #14 GAGE SF2 UNLESS OTHERWISE SPECIFIED.
T.C. = TYPE 'K' THERMOCOUPLE
G = GROUND