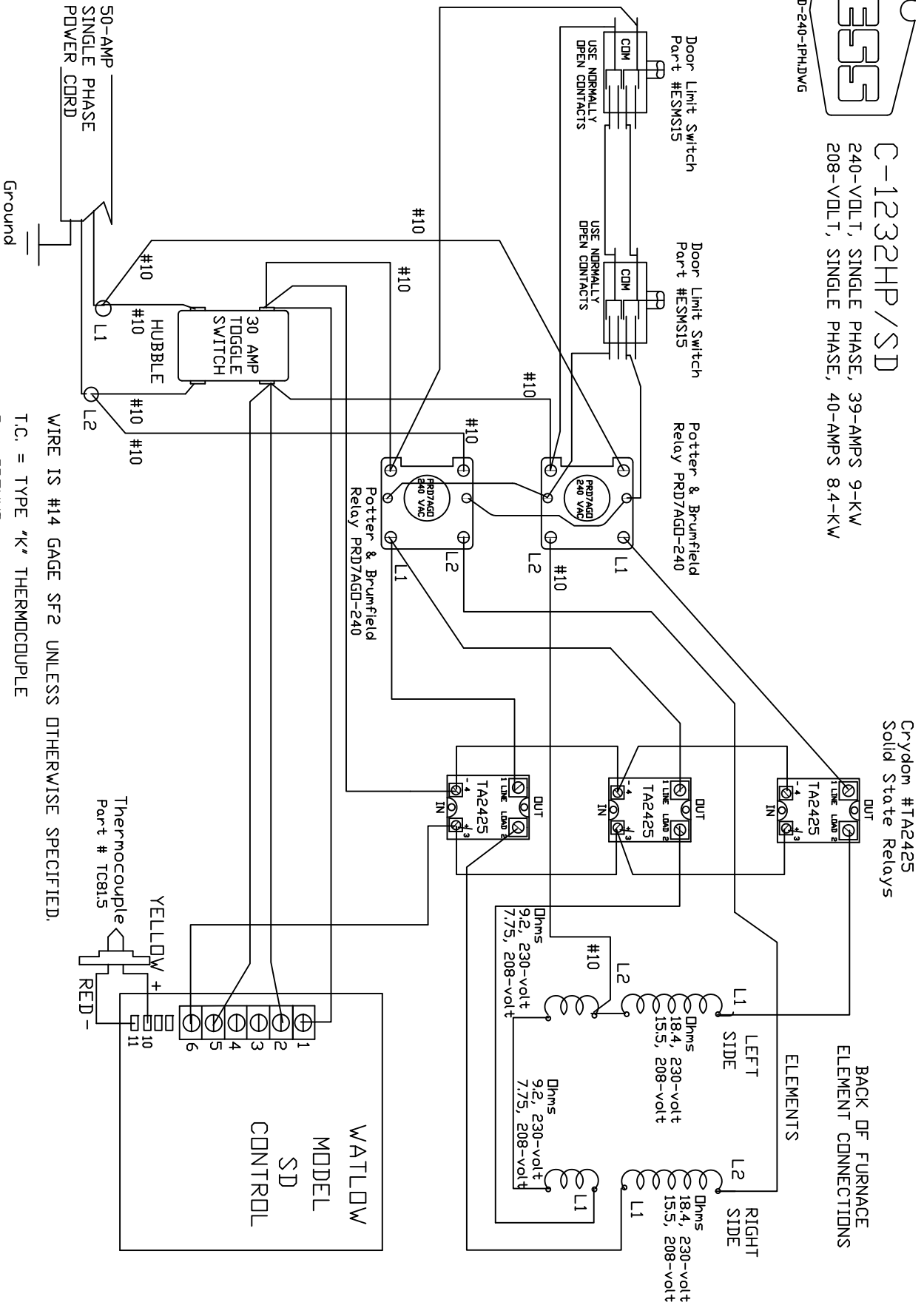




C1232HP-SD-240-1PH.DWG  
12/2006

C-1232HP/SD  
240-VOLT, SINGLE PHASE, 39-AMPS 9-KW  
208-VOLT, SINGLE PHASE, 40-AMPS 8.4-KW



WIRE IS #14 GAGE SF2 UNLESS OTHERWISE SPECIFIED.  
T.C. = TYPE "K" THERMOCOUPLE  
G = GROUND