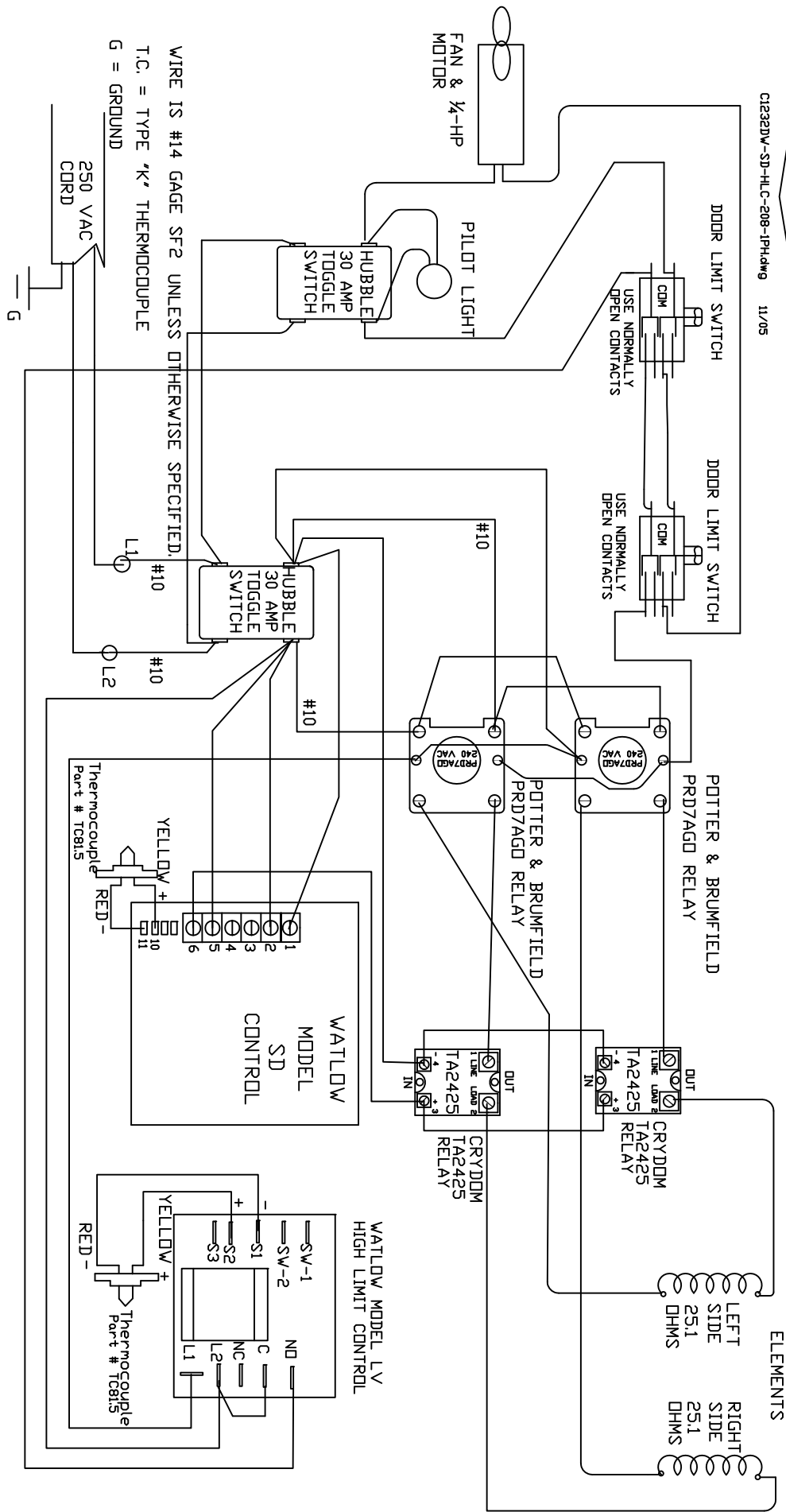


C-1232DW / SD-HLC

208-VOLT, SINGLE-PHASE.

C1232DW-SD-HLC-208-1PHdwg 11/05



WIRE IS #14 GAGE SF2 UNLESS OTHERWISE SPECIFIED.
 T.C. = TYPE 'K' THERMOCOUPLE
 G = GROUND

250 VAC
 CORD
 G

ELEMENTS

LEFT
 SIDE
 25.1
 DHMS

RIGHT
 SIDE
 25.1
 DHMS

WATLOW MODEL LV
 HIGH LIMIT CONTROL

WATLOW
 MODEL
 SD
 CONTROL

