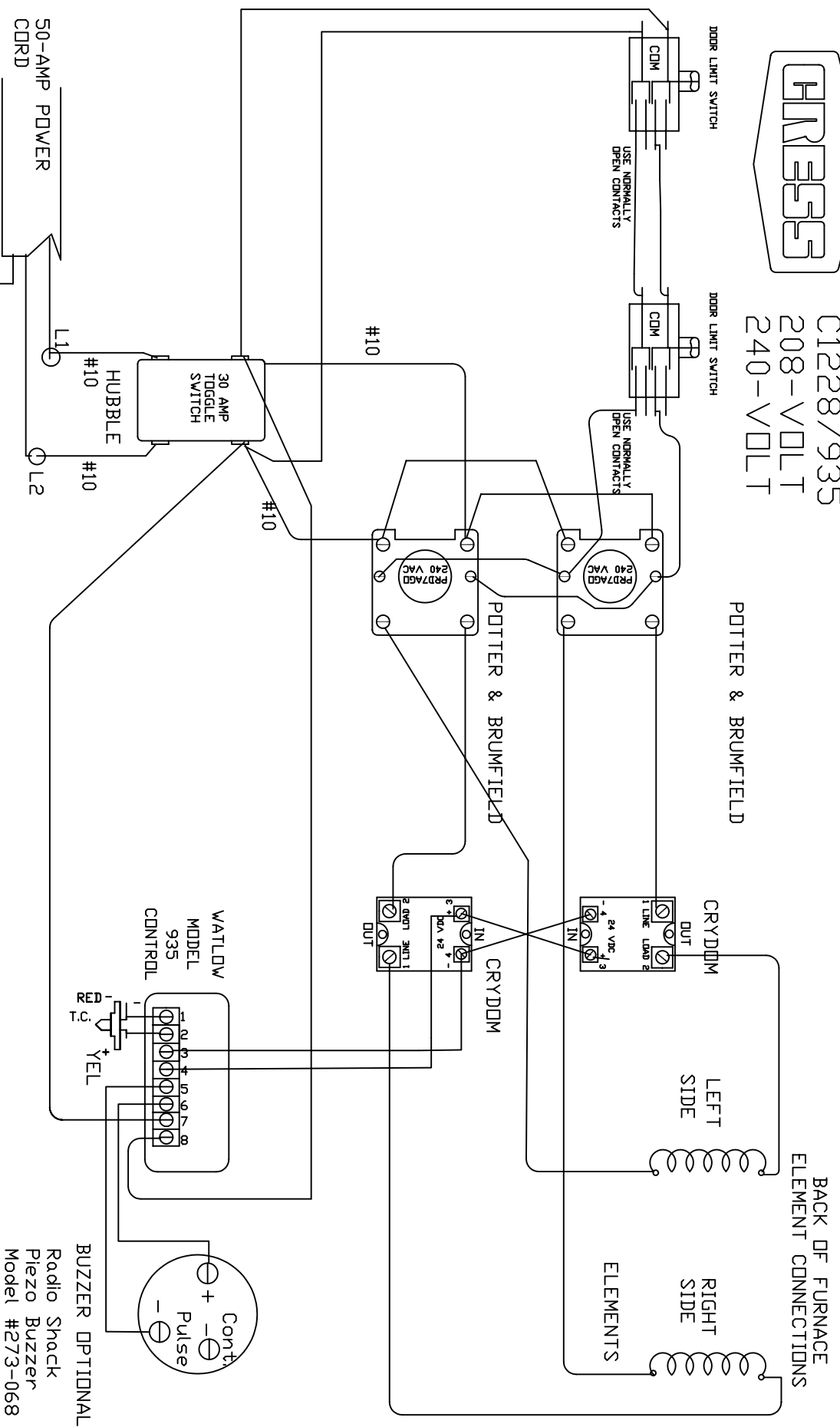


C1228/935
 208-VOLT
 240-VOLT



WIRE IS #14 GAGE SF2 UNLESS OTHERWISE SPECIFIED.
 T.C. = TYPE THERMOCOUPLE
 G = GROUND

BUZZER OPTIONAL
 Radio Shack
 Piezo Buzzer
 Model #273-068