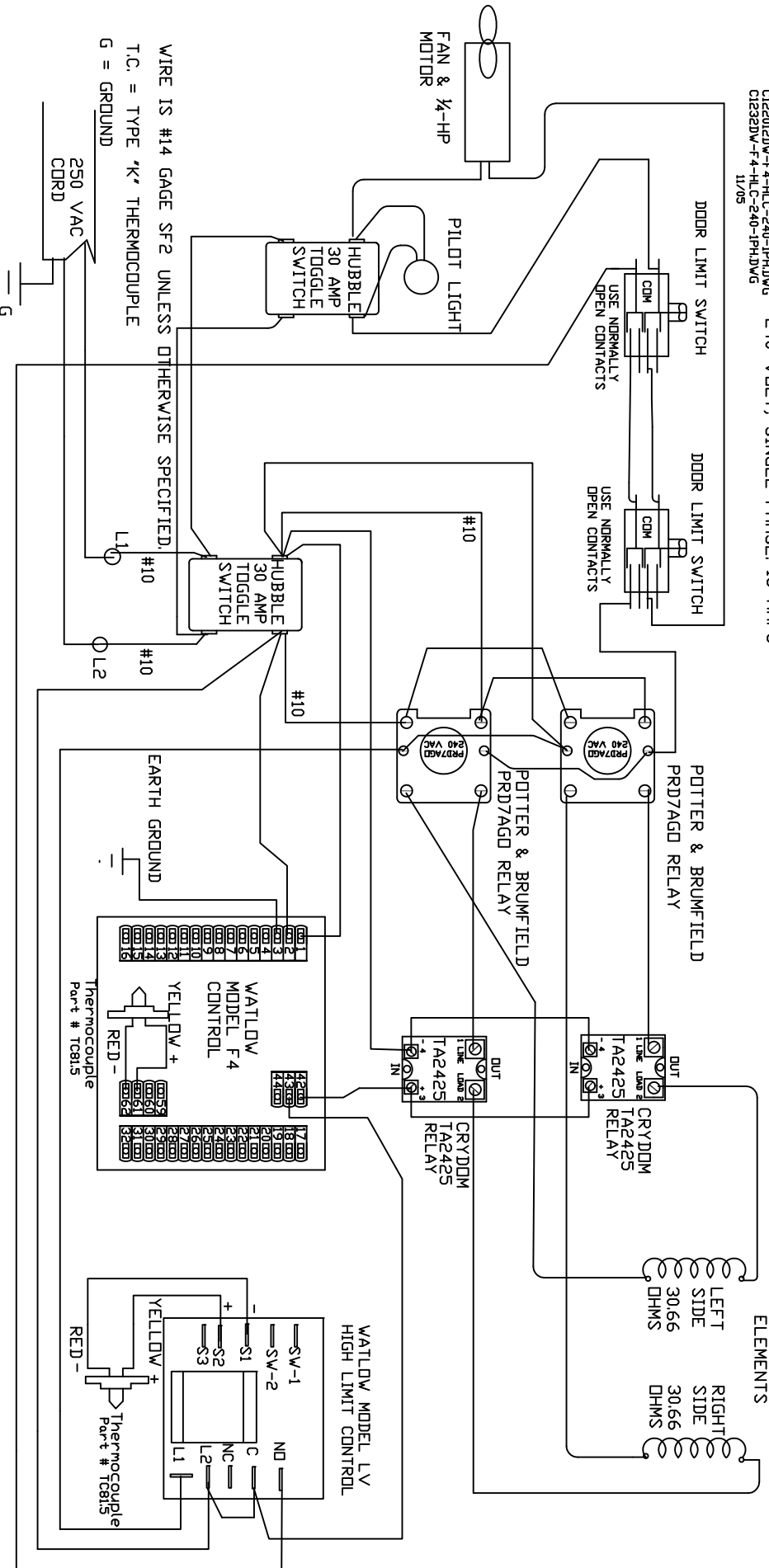


C1228DW-F4-HLC-240-1PH-DWG
 C122012DW-F4-HLC-240-1PH-DWG
 C1232DW-F4-HLC-240-1PH-DWG
 11/05

C1228DW/F4 HLC
 C122012DW/F4 HLC
 C1232DW/F4 HLC
 240-VOLT, SINGLE-PHASE, 18-AMPS



WIRE IS #14 GAGE SFR2 UNLESS OTHERWISE SPECIFIED.
 T.C. = TYPE 'K' THERMOCOUPLE
 G = GROUND

250 VAC
 CBRD
 G

ELEMENTS

LEFT SIDE 30.66 DHMS
 RIGHT SIDE 30.66 DHMS

WATLOW MODEL LV
 HIGH LIMIT CONTROL

WATLOW MODEL F4 CONTROL
 Thermocouple Part # TC815

SW-1
 SW-2
 S1
 S2
 S3
 ND
 C
 NC
 L1
 L2
 Thermocouple Part # TC815