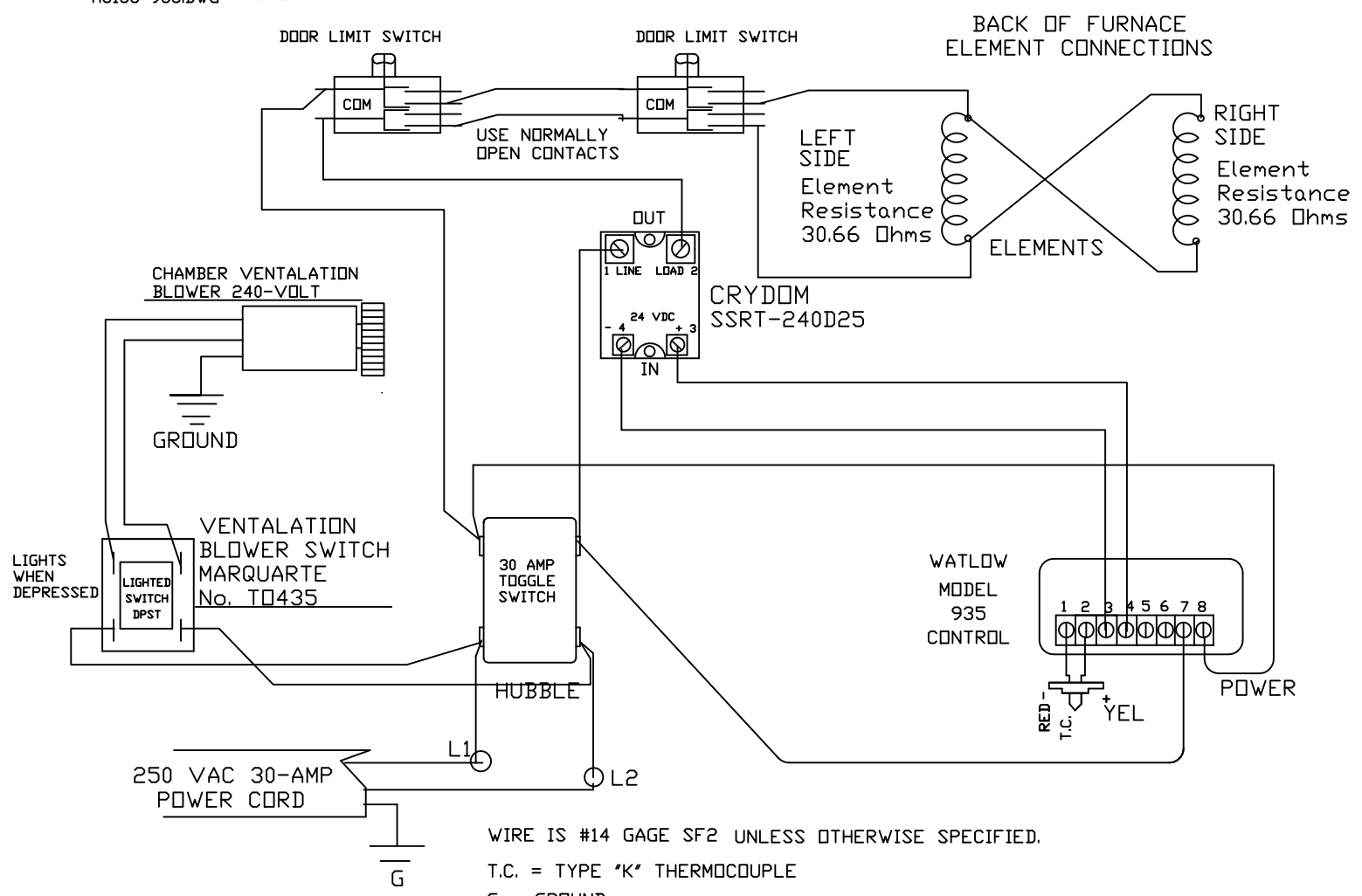


AC-136/935 FURNACE

240-VOLT 17-AMPS

AC136-935.DWG 06/2007



WIRE IS #14 GAGE SF2 UNLESS OTHERWISE SPECIFIED.
 T.C. = TYPE "K" THERMOCOUPLE
 G = GROUND