

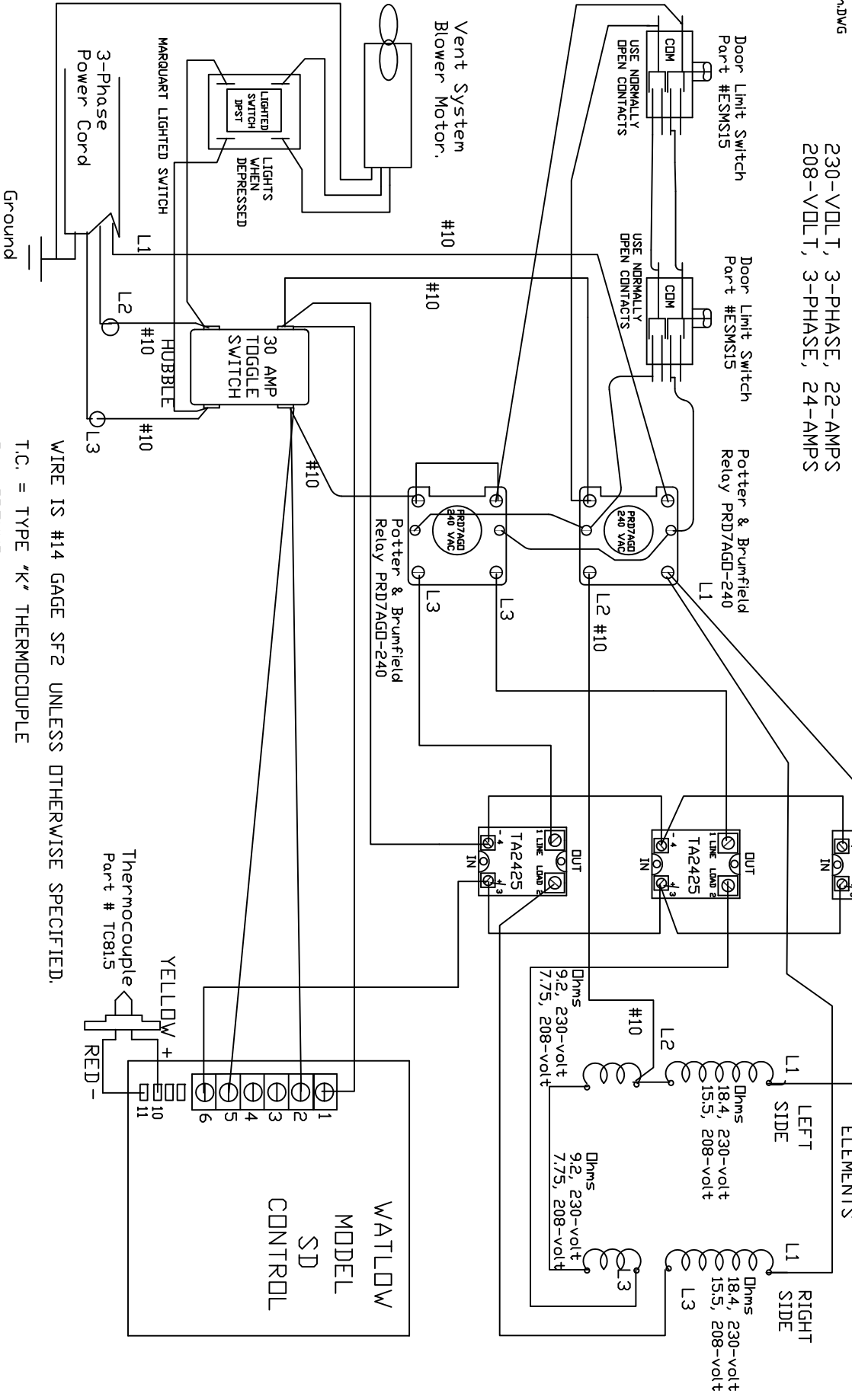


AC1228-SD-3ph.DWG
03/05

AC1228/SD
AC1232/SD
AC122012/SD
230-VOLT, 3-PHASE, 22-AMPS
208-VOLT, 3-PHASE, 24-AMPS

Crydom #TA2425
Solid State Relays

BACK OF FURNACE
ELEMENT CONNECTIONS



WIRE IS #14 GAGE SF2 UNLESS OTHERWISE SPECIFIED.
T.C. = TYPE 'K' THERMOCOUPLE
G = GROUND