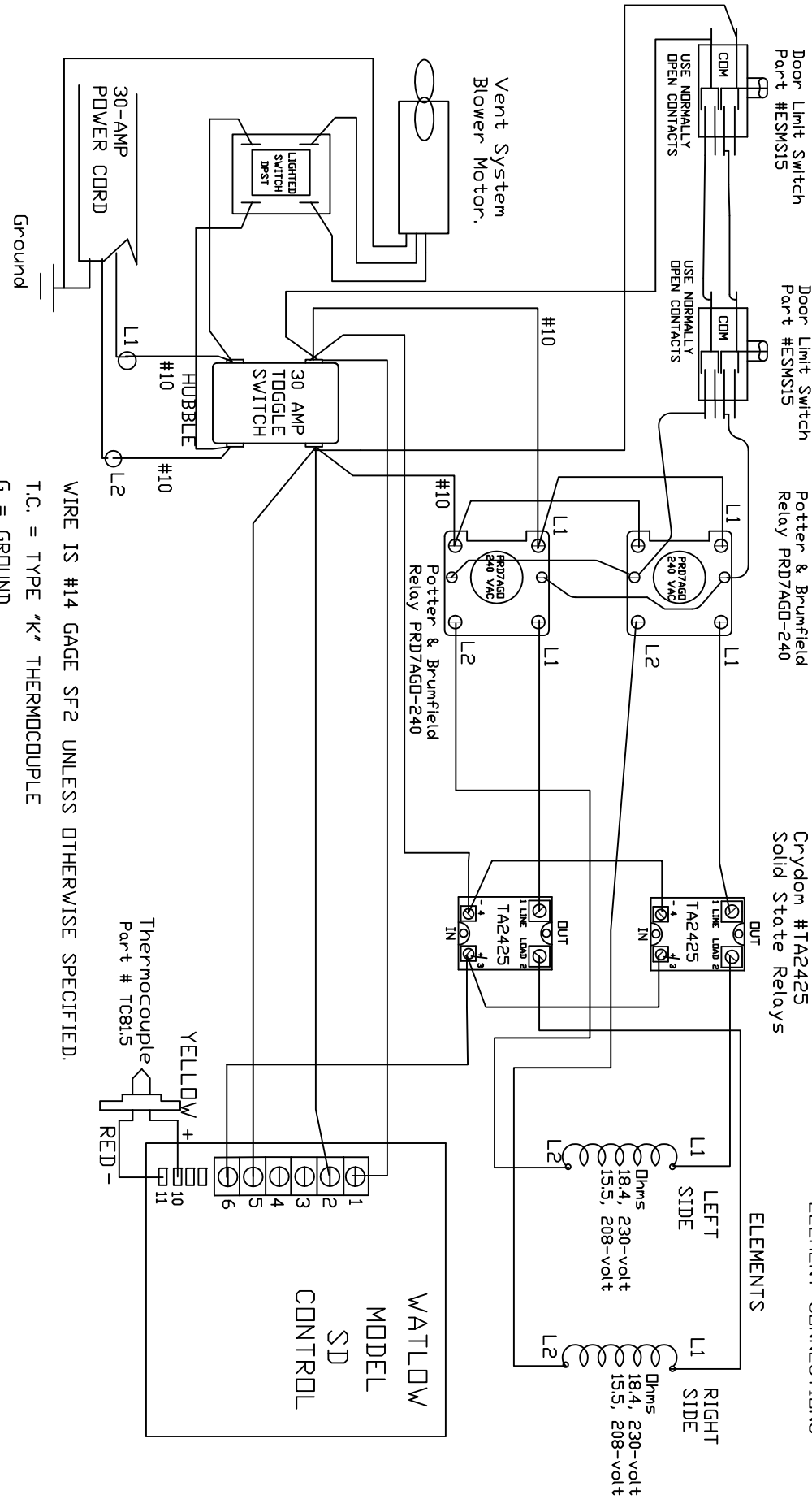


AC1228-SD 230.DWG 5/2005

AC1228/SD
AC1232/SD
AC122012/SD
240-VAC, 26-AMPS
208-VAC, 27-AMPS

BACK OF FURNACE
ELEMENT CONNECTIONS



WIRE IS #14 GAGE SF2 UNLESS OTHERWISE SPECIFIED.

T.C. = TYPE 'K' THERMOCOUPLE

G = GROUND